

VWR Bench top autoclaves

VAPOUR-Line *lite* II - VAPOUR-Line *lite* II P

INSTRUCTION MANUAL

European Catalogue Numbers:

481-0846 and 481-0847



Version: 3.0

Issued: 18th March 2019



Legal Address of Manufacturer

Europe

VWR International S.r.l.

Via San Giusto 85

20153 Milano (MI)

Italy

Tel. : 02-3320311/02-487791

<http://it.vwr.com>

Country of origin Italy

Table of Contents

Use of the manual	4
Safety information	4
Precautions during installation	4
Unit description	5
Electrical supply	6
Before using for the first time	6
Preliminary operations	7
Sterilisation temperature programming	7
Sterilisation time programming	7
Sterilisation cycle	8
Panel commands	8
Cleaning after use	8
General maintenance	9
Heating element replacement	11
Temperature/pressure rate	11
Spare parts	11
Setting the parameter safety key	12
Printer recorder (optional)	12
Safety precautions	13
Technical assistance	14
Warranty	14
Disposal	15

Use of the manual

Using this manual will help you use this instrument efficiently. The manual should be kept in a convenient place near the instrument for ease of use.

Safety information

- Use the device only for the indicated purposes
- The device must be correctly installed according to these instructions, before starting any operation
- Never disconnect the device by pulling the electrical cable from the socket
- Electrical cables should be replaced immediately when damaged
- While removing the item connected to a power source, pay attention to the electrical connection cable
- Always disconnect from the power source when:
 - A. Repairing or carrying out maintenance work; these operations must be carried out by qualified staff only
 - B. Cleaning the unit
 - C. Use original spare parts and accessories for any replacement

Do not use this device in the presence of explosive gases.

Precautions during installation



When the electrical system socket is not compatible with device, replace it paying attention to the following coded cable colours.

Brown: Live – Blue: Neutral – Yellow/green: Earth



Be aware that the voltage and frequency of the electrical system being used is compatible with the device.



The device must be connected to a ground wire. For any questions please contact a qualified electrician. Before starting up the device, be sure that the ventilation grids are totally free of obstruction.

Unit description

The steam steriliser 'VAPOUR-LINE *lite* II consists of:

Pressure gauge

The pressure gauge registers pressure (PSI). The pointer moves around the dial indicating precisely the pressure within the unit.

Pressure gauge adaptor

The pressure gauge adaptor connects the pressure gauge to the vessel cover.

Pressure regulator

The pressure regulator is a solid one-piece unit. Accurate pressure readings can be controlled and maintained by adjusting heat settings.

Air vent pipe

The pressure regulator fits over the vent pipe and allows excess pressure to be released.

Air vent cover lock

The air vent/cover locks automatically 'vents' or exhausts air from the vessel and acts as a visual indication of pressure in the unit.

Locking bracket

The locking bracket on the inside of the vessel body engages with the air vent/cover lock to prevent the cover from being opened when there is pressure in the unit.

Sealing ring

The sealing ring fits into the vessel cover and forms a pressure-tight seal between cover and body during sterilisation.

Overpressure plug

The overpressure plug is located in the vessel cover. It will automatically pop out and release steam in case the vent pipe becomes clogged and pressure cannot be released normally.

Litebox loading basket

Vessel and lid with two peripheral handles

Electronic device for thermoregulation

Main switch

Optional printer

Electrical supply

220 – 240 V – AC single phase, 1300 W.

This unit must be earthed. It is delivered with a mains plug with safety contacts.

If replacing the mains plug, the mains lead (coloured green and yellow) must be connected to the earth terminal on the new plug.

If using a mains supply without a protective earth, the unit must be connected to a safe earth.

Before using for the first time

- 1) Remove the air vent/cover lock from the vessel cover.

The cup portion of the air vent/cover lock, on the inside of the cover, unscrews from the pin.

- 2) Remove the sealing ring by simply pulling from the sealing ring groove.
- 3) Wash the cover and body with hot, soapy water. Do not submerge the cover in water or let the gauge come in contact with any liquid. The inside mechanism of the gauge may be damaged if it is submerged or if water is allowed to run over it. Scrub the sealing ring groove to remove the manufacturing oils. Scour the inside of the canner body and cover with a non alkaline, aluminium cleaner or a steel wool pad. Rinse with warm water and dry.
- 4) Re-insert the air vent/cover lock making sure the small gasket is in place.
- 5) Replace the sealing ring in the sealing ring groove.
The sealing ring is pre-lubricated; therefore, it is not necessary to apply oil to it. Frequent oiling may cause swelling of the sealing ring.
- 6) If the cover is difficult to open or close use a pastry brushes, a piece of cloth or your fingertips to apply a light coating of oil to the underside of the lugs on the vessel body. The cover should open and close easily.

Be sure the vent pipe is open before each use by holding the cover up to the light and looking through the vent pipe. If the vent pipe is blocked, excess pressure cannot be released through it.

Pressure will continue to build until the over pressure plug pops out of its cover opening.

Pressure is indicated on the dial gauge which registers the pressure inside the unit at all times. The pointer will move across the dial as pressure is increased or reduced within the vessel. The one-piece regulator is designed to rock only at 15 pounds pressure.

Do not strike the rim of the vessel body with any utensil as this will cause nicks which may damage the rim and allow steam to escape. Pouring water into a dry overheated vessel may crack the metal.

The vessel has been designed so the cover will go on in only one position and rotate only in the directions indicated for closing and opening. Press down on the cover handles to compress the sealing ring and make the cover easier to close. The cover has the words CLOSE/OPEN embossed on the top surface near a cover handle. Align the 'V' on the cover with the mark on the body handle

for proper cover and body alignment. Turn the cover in the direction indicated to close until the cover handles are centred directly above body handles.

Do not rotate the cover beyond this point.

When the cover is rotated to the closed position, the air vent/cover lock passes under the locking bracket. When the handles are aligned, one over the other, the pressure regulator is placed on the vent pipe and heat is applied, pressure will then begin to build within the vessel.

At this point, the air vent/cover lock lifts and locks the unit. The cover will remain locked as long as there is pressure in the vessel. When pressure is reduced completely, the air vent/cover lock drops allowing the unit to be opened.

Preliminary operations

- 1) This steam steriliser must only be used for a maximum pressure of 1.08 bar (121 °C).
- 2) The steam steriliser should be positioned in an area where there is adequate means for removal of steam.
- 3) Connect plug to mains supply.
- 4) Introduce distilled water or demineralised water into the sterilisation chamber to cover the heating system. Using distilled water avoids the production of calcareous deposits on the heating element. 20 minutes of sterilising will use approximately 500 ml of water.
- 5) Two displays are lit on time/temperature command panel.
- 6) Before programming, it is necessary to erase the protection of the parameters (safety keys), see paragraph 16.

Sterilisation temperature setting

- 1) Press 'SET' on lower display until Set.1 appears.
- 2) By using arrows increase or decrease the temperature. By keeping the button pressed, temperature will increase or decrease rapidly. For fine tuning, press the button once.
- 3) Press 'SET' to save to memory and repeat the same process for Set.2 parameters.

IMPORTANT. Set.1 AND Set.2 PARAMETERS SHOULD BE THE SAME VALUE

Sterilisation time setting

- 1) Press 'SET' until MA.t appears on the lower display..
- 2) Select the sterilization time using the arrows. The sterilisation time (in minutes) will be shown on the upper display.
- 3) Press 'SET' to save to memory.

Sterilisation cycle

- 1) Press the 'SET' button for 3 seconds to start the cycle. Actual temperature will be shown in the upper display (white), set temperature will be shown in the lower display (red)
- 2) When the sterilisation temperature has been reached, the time left to reach end of the cycle is shown on the lower display.
- 3) The end of the sterilisation cycle is indicated by an acoustic alarm for few seconds.
- 4) The cycle can be stopped at any time by simply pressing SET button for five seconds
- 5) At the end of vessel cooling, open the lid to take out the sterilised material.

Panel commands

SET	To start/stop the programme and change parameters to be set.
▼▲	To increase/decrease time and temperature
FNC	To enter service menu. A password will be required. To be used by service personnel.

NOTES:

All programming operations must be performed in quick sequence otherwise the programming device zeros. The programme can be stopped by pressing the 'SET' button for more than five seconds. The only parameters that need to be selected are (SP1) temperature and (t in 1) time. The selected parameters remain memorised even after the instrument is turned off.

Cleaning after use

- 1) The outside surface may be kept bright and shiny by cleaning with a good silver polish or simply by washing with soap and water. Iron and various minerals in water may darken the inside but this discoloration will in no way affect sterilisation. These stains are harmless and may be removed by using a solution of water and cream of tartar. For each quart of water, use one tablespoon of cream of tartar. Pour enough solution into the vessel to cover the discoloration (do not fill over 2/3 full), then close cover securely. Place regulator on vent pipe and heat until 15 pounds pressure is reached. Switch off and allow the unit to stand for two to three hours. Remove regulator, open and empty contents. Scour thoroughly with a soap impregnated steel wool cleaning pad; wash, rinse and dry.
- 2) Each time the vessel is washed, remove the sealing ring and wash in warm, soapy water, rinse, dry and replace in cover.

- 3) The air vent/cover lock may be removed for occasional cleaning or for replacing the small gasket. Wash all parts in warm, soapy water. Use a soft cloth or small nylon brush to clean the cover hole. The small gasket must be in place when re-assembling the air vent/cover lock.
- 4) The overpressure plug can be removed for cleaning by pulling it out of its opening from the bottom part of the cover. After cleaning, re-insert the plug by pushing the round side of the plug into the opening from the bottom part of the cover. When the overpressure plug is properly installed the word (TOP) will be visible when viewing the outside of the cover. The dented portion of the overpressure plug is visible when the bottom part of the cover is viewed. If the overpressure plug is ever forced out of its cover opening due to excess pressure while sterilising, it is important to have the vessel properly inspected before further use. Do not attempt to replace the overpressure plug and ask for servicing.
- 5) Be sure the vent pipe is open before each use. Clean the vent pipe with a small brush or pipe cleaner.
- 6) When your unit is not in use, invert the cover on the body and store in a dry place. Storing the unit with the cover locked on may deform the sealing ring.

General maintenance

- 1) CAUTION: To ensure safe operation and satisfactory performance, replace the overpressure plug every time you replace the sealing ring, or sooner if it becomes hard or deformed. In any case replace the overpressure plug every 2 years. Failure to follow these instructions could result in bodily injury or property damage.
- 2) If the body or cover handles become loose, tighten with a screwdriver.
- 3) If leakage of moisture or steam develops while using your unit, check the following possible causes:
 - The formation of a small amount of moisture under the pressure regulator is normal when heating first begins. This condensation is a result of the temperature of the pressure regulator being lower than the rest of the vessel. If excess condensation continues, the vent pipe may be loose and should be tightened with an adjustable wrench.
 - Leakage between the cover and body is usually caused by shrinkage of the sealing ring after prolonged use. Replace the sealing ring, overpressure plug and pressure gauge adaptor.
 - A small amount of leakage around the air vent/cover lock is normal when sterilising first begins. If leakage continues, the cover handles may not be fully aligned with the body handles and, therefore, the cover lock cannot engage. Clean the air vent/cover lock occasionally to ensure that it operates correctly.
 - A small amount of steam or moisture may be visible around the overpressure plug as sterilisation begins. This will stop when the overpressure plug seals. If leakage continues, clean or replace the overpressure plug.

- 4) If the pressure vessel becomes difficult to open or close and the sealing ring has expanded, replace the sealing ring.
- 5) **IMPORTANT:** In time, the sealing ring may shrink and the air vent/cover lock, small gasket, overpressure plug and pressure gauge adaptor may become hard and deformed. When this happens, replace the sealing ring, small gasket, overpressure plug and pressure gauge adaptor. The sealing ring, overpressure plug and pressure gauge adaptor should be replaced at least every 2 years.

Before inserting a new sealing ring, clean the sealing ring groove with a brush. To ensure safe operation of your unit, it is recommended that the pressure gauge adaptor and overpressure plug be replaced whenever the sealing ring is replaced.

- 6) **Anti-corrosion technique:** When two different metals, with different chemical properties, come in contact through an electrolyte an electron exchange is established. This process is known as galvanic corrosion which starts oxidation of the weakest metal. In an aluminium autoclave this natural effect can eventually lead to severe damage to the vessel.

To prevent this corrosion, all aluminium autoclaves are equipped with a special device called sacrificial body (Cat. No. 481-0721). This device is a small disc fixed with a screw to the vessel body and is made of a metal that is more easily oxidised than aluminium. This means that the galvanic current will flow through the sacrificial body which will be corroded instead of the autoclave vessel. If the sacrificial body has been completely worn out, the autoclave vessel will begin to corrode, so it is mandatory to periodically check the sacrificial body status and replace it before it wears out. It is advisable to order some spare sacrificial bodies in order to always run the autoclave with a sacrificial body in it.

Heating element replacement

Disconnect the electric supply, unscrew the two fixing nuts on the outside bottom of the sterilisation chamber and insert a new heating element. To re-assemble, repeat the same steps in reverse order. Ensure that the water level in the sterilisation chamber always covers the heating element.

Temperature/pressure rates

Temperature (°C)	100	102	105	109	112	115	119	120
Pressure (PSI)	0	1.45	2.90	5.80	7.25	10.15	13.05	14.50

Spare parts



	Description	Cat. No.
1	Manometer	481-0717
2	Heating element 200 V, 1300 W (110 V on request)	481-0777
3	Sealing ring	481-0719
4	Overpressure plug	481-0720
5	Main switch	481-0779
6	Sacrificial body	481-0721
7	Pressure regulator	481-0722
8	Controller for autoclave	481-0848
9	Printer	481-0840
10	Black start button	481-0839
	Printer paper	481-0775

Setting the parameter safety key

Selected parameters should be protected to avoid tampering:

- Press 'ENTER' several times until the word 'nnn' shows on the display
- Select a number other than 3 using the arrow keys and press 'ENTER'

This number will be requested any time the set parameter is changed.

The parameter protection is erased by doing the following:

- Press the 'ENTER' button several times until the word 'nnn' shows on the display
- Select number 3 using the arrows and press 'ENTER'

The programmer will now no longer request a password.

Printer recorder (optional)

The autoclave is supplied with a temperature printer connection.

Printer records:

- a. Date
- b. Batch number
- c. Temperature recorded during the segment of time programmed
- d. Sterilisation progressive number carried out automatically

How to insert the paper

Pressing the two levers (E), open the panel and insert paper as shown.

If the paper is correctly installed the 'pos F' LED light is on.

A flashing LED indicates that the paper is not properly installed.

By pressing button G you can scroll the paper.

Date:	2004/01/01	A
Name:	-----	
Batch:	1	B
96	10	
99	10	
105	10	
110	10	
115	10	
117	10	D
119	10	

Safety precautions

Opening and closing

The autoclave has a safety block when the lid is open. This block will prevent the lid falling on the hands of the operator. ALWAYS make sure that the block is working properly and that there's sufficient space between the instrument and the wall behind, in order to allow the lid to open completely and block to be activated.

After a cycle, the instrument should only be opened when temperature is below 70 °C and the inner pressure is at 0. Autoclaves have safety devices in order to avoid accidental opening. In this case DO NOT FORCE the instrument open.

Opening the autoclave when power is off is NOT recommended.

Personal Safety Systems (PSS)

All the safety devices on this autoclave will prevent accidental opening. However, sterilised loads can undergo thermal shock during a cycle that can cause breakages during opening, although in very rare circumstances.

The following PSS workwear should be near the instrument and always worn by personnel:

- Heat resistant gloves
- Heat resistant face mask (e.g. made of polycarbonate)
- Protective glasses
- Labcoat

Sterilisation of liquids

Please note that liquids in a load have a thermal capacity bigger than the steam in the chamber. For this reason they're always a "step behind" the temperature measured in the chamber. The more viscous or bulky the liquid is, the more this phenomenon may occur.

So, when the chamber is less than 100 °C, liquid inside the load can be at a temperature higher than this. Consequently if the autoclave is opened, liquid inside (that is at a much higher temperature) may come out in a turbulent manner and dirty the internal chamber or, (worst case) splash the operator. If the container is closed it can explode.

If you're sterilising liquids, always consider **at least** a 20 °C difference between chamber and temperature and load temperature. The instrument should therefore be opened at 50 °C.

We strongly recommend not to sterilise liquids in containers bigger than 2 litres.

Technical service

Web Resources

Visit the VWR's website at vwr.com for:

- Complete technical service contact information
- Access to VWR's Online Catalogue, and information about accessories and related products
- Additional product information and special offers

Contact us For information or technical assistance contact your local VWR representative or visit.

vwr.com.

Warranty

VWR International warrants that this product will be free from defects in material and workmanship for a period of two (2) years from date of delivery. If a defect is present, VWR will, at its option and cost, repair, replace, or refund the purchase price of this product to the customer, provided it is returned during the warranty period. This warranty does not apply if the product has been damaged by accident, abuse, misuse, or misapplication, or from ordinary wear and tear. If the required maintenance and inspection services are not performed according to the manuals and any local regulations, such warranty turns invalid, except to the extent, the defect of the product is not due to such non performance.

Items being returned must be insured by the customer against possible damage or loss. This warranty shall be limited to the aforementioned remedies. IT IS EXPRESSLY AGREED THAT THIS WARRANTY WILL BE IN LIEU OF ALL WARRANTIES OF FITNESS AND IN LIEU OF THE WARRANTY OF MERCHANTABILITY.

Compliance with local laws and regulations

The customer is responsible for applying for and obtaining the necessary regulatory approvals or other authorisations necessary to run or use the product in its local environment. VWR will not be held liable for any related omission or for not obtaining the required approval or authorisation, unless any refusal is due to a defect of the product.

Equipment disposal



This equipment is marked with the crossed out wheeled bin symbol to indicate that this equipment must not be disposed of with unsorted waste.

Instead it's your responsibility to correctly dispose of your equipment at lifecycle end by handing it over to an authorised facility for separate collection and recycling. It's also your responsibility to decontaminate the equipment in case of biological, chemical and/or radiological contamination, so as to protect from health hazards the persons involved in the disposal and recycling of the equipment.

For more information about where you can drop off your waste of equipment, please contact your local dealer from whom you originally purchased this equipment.

By doing so, you will help to conserve natural and environmental resources and you will ensure that your equipment is recycled in a manner that protects human health.

Thank you

Inhaltsverzeichnis

Verwendung der Bedienungsanleitung	17
Sicherheitshinweise	17
Vorsichtsmaßnahmen während der Installation	17
Beschreibung des Geräts	18
Stromversorgung	19
Vor der Inbetriebnahme	19
Vorbereitende Maßnahmen	20
Programmierung der Sterilisierungstemperatur	21
Programmierung der Sterilisierungszeit	21
Sterilisationszyklen	21
Bedienfeldbefehle	21
Reinigung nach der Verwendung	21
Grundwartung	22
Austausch des Heizelements	24
Temperatur-/Druckwerte	24
Ersatzteile	25
Einstellung des Sicherheitsschlüssels für die Parameter	25
Druckeraufzeichner (optional)	26
Sicherheitsvorkehrungen	27
Technische Kundendienst	28
Garantie	28
Entsorgung	29

Verwendung der Bedienungsanleitung

Diese Bedienungsanleitung hilft Ihnen bei der effektiven Verwendung Ihres Geräts. Bewahren Sie sie in der Nähe des Geräts auf, um bei Bedarf darauf zugreifen zu können.

Sicherheitshinweise

- Verwenden Sie das Gerät nur für den vorgesehenen Zweck.
 - Das Gerät muss vor Inbetriebnahme entsprechend dieser Anleitung ordnungsgemäß installiert werden.
 - Ziehen Sie den Stecker niemals am Kabel aus der Steckdose.
 - Elektrische Kabel sind bei Beschädigung sofort zu ersetzen.
 - Achten Sie beim Trennen eines Geräts von der Stromquelle auf das Netzkabel.
 - Trennen Sie das Gerät grundsätzlich von der Stromquelle in folgenden Fällen:
 - A. wenn Reparatur- oder Wartungsmaßnahmen ausgeführt werden; diese Maßnahmen dürfen nur von qualifizierten Mitarbeitern ausgeführt werden.
 - B. Reinigung des Geräts
 - C. Verwenden Sie für den Austausch ausschließlich Originalersatzteile und Zubehör.
- Verwenden Sie dieses Gerät nicht in der Gegenwart explosiver Gase.

Vorsichtsmaßnahmen während der Installation



Wenn die Netzsteckdose nicht mit dem Stecker des Geräts kompatibel ist, ersetzen Sie diesen, und achten Sie dabei auf folgende Farbcodierung des Kabels.
Braun: stromführend – Blau: neutral – Gelb/Grün: Erde



Achten Sie darauf, dass Spannung und Frequenz der Stromversorgung mit dem Gerät kompatibel sind.



Das Gerät muss mit einem Erdungskabel verbunden sein. Bei Fragen wenden Sie sich an einen Elektriker. Achten Sie vor Inbetriebnahme des Geräts darauf, dass die Belüftungsgitter unverstellt sind.

Beschreibung des Geräts

Der Dampfsterilisator VAPOUR-LINE *lite II* besteht aus den folgenden Komponenten:

Manometer

Das Manometer zeigt den Druck in PSI an. Der Zeiger bewegt sich über die Skala und zeigt genau den Druck innerhalb des Geräts an.

Manometeradapter

Mithilfe des Manometeradapters wird das Manometer mit dem Behälterdeckel verbunden.

Druckregler

Der Druckregler ist ein massives einteiliges Bauteil. Der exakte Druck kann durch die Einstellung der Temperatur gesteuert und aufrechterhalten werden.

Entlüftungsrohr

Der Druckregler sitzt auf dem Entlüftungsrohr und ermöglicht das Entweichen von Überdruck.

Entlüftung/Deckelverriegelung

Über die Entlüftung/Deckelverriegelung wird automatisch Luft aus dem Behälter abgelassen, und diese dient als optische Anzeige für den Druck im Gerät.

Verriegelungsklammer

Die Entlüftung/Deckelverriegelung greift in die Verriegelungsklammer im Inneren des Behältergehäuses und verhindert, dass der Deckel geöffnet wird, wenn das Gerät unter Druck steht.

Dichtungsring

Der Dichtungsring sitzt im Deckel des Behälters und bildet während der Sterilisierung eine druckdichte Dichtung zwischen Deckel und Gehäuse.

Überdruckstopfen

Der Überdruckstopfen befindet sich im Deckel des Behälters. Dieser springt automatisch heraus und entlässt Dampf, falls das Entlüftungsrohr verstopft ist, und Druck nicht auf normale Weise entweichen kann.

LITEbox-Korb

Behälter und Deckel mit zwei seitlichen Griffen

Elektronisches Gerät für die Temperaturreglung

Hauptschalter

Optionaler Drucker

Stromversorgung

220–240 V – Einphasig, AC, 1300 W.

Dieses Gerät muss geerdet werden. Es wird mit einem Netzstecker mit Sicherheitskontakten geliefert.

Wenn der Netzstecker ausgetauscht wird, muss das Netzkabel (grün/gelb) an der Erdungsklemme des neuen Steckers angeschlossen werden.

Bei Verwendung einer Stromversorgung ohne Schutzleiter muss das Gerät an eine sichere Erdung angeschlossen werden.

Vor der Inbetriebnahme

- 1) Die Entlüftung/Deckelverriegelung vom Behälterdeckel entfernen.
Der becherförmige Teil der Entlüftung/Deckelverriegelung im Innern des Deckels lässt sich vom Stift abschrauben.
- 2) Den Dichtungsring durch einfaches Abziehen von der Dichtungsringnut lösen.
- 3) Den Deckel und das Gehäuse mit heißem Seifenwasser reinigen. Den Deckel nicht in Wasser tauchen, und das Manometer nicht in Kontakt mit Flüssigkeiten kommen lassen. Der interne Mechanismus des Manometers könnte beschädigt werden, wenn das Manometer in Wasser getaucht wird, oder wenn Wasser eindringt. Die Dichtungsringnut ausreiben, um Ölreste der Fertigung zu beseitigen. Das Innere des Behältergehäuses und des Deckels mit einem alkalifreien Aluminiumreiniger oder Stahlwolle scheuern. Mit warmen Wasser abspülen und trocknen.
- 4) Die Entlüftung/Deckelverriegelung wieder einsetzen und sicherstellen, dass die kleine Dichtung angebracht ist.
- 5) Den Dichtungsring wieder in die Dichtungsringnut einsetzen.
Der Dichtungsring ist vorgeschmiert, eine Aufbringung von Öl ist daher nicht erforderlich. Häufiges Ölen kann zu einem Aufquellen des Dichtungsringes führen.
- 6) Wenn sich der Deckel schwer öffnen oder schließen lässt, einen dünnen Ölfilm mit einem Backpinsel, einem Lappen oder den Fingerspitzen auf die Unterseite der Haken am Behältergehäuse auftragen.

Vor der Verwendung überprüfen, dass das Entlüftungsrohr geöffnet ist, indem Sie den Deckel gegen das Licht halten und durch das Entlüftungsrohr sehen. Wenn das Entlüftungsrohr blockiert ist, kann Überdruck nicht durch dieses entweichen. Der Druck baut sich in diesem Fall solange auf, bis der Überdruckstopfen im Deckel aus seiner Öffnung springt.

Der Druck wird auf dem Manometer angezeigt, das den Druck im Inneren des Geräts permanent erfasst. Der Zeiger bewegt sich entsprechend dem Druckanstieg bzw. der Druckminderung im Inneren des Behälters über die Skala. Der einteilige Regler löst erst bei einem Druck von 1,03 bar (15 psi) aus.

Stöße gegen den Rand des Behältergehäuses vermeiden, da dies zu Kerben führt, über die Dampf entweichen kann. Das Einfüllen von Wasser in einen trockenen und überhitzten Behälter kann zu Rissen im Metall führen. Der Behälter ist so konstruiert, dass der Deckel nur in einer Position aufgesetzt und nur in die angezeigten Richtungen zum Schließen und Öffnen gedreht werden kann. Auf die Deckelgriffe drücken, um den Dichtungsring zusammenzudrücken, damit sich der Deckel leichter schließen lässt. Auf dem Deckel ist oben in der Nähe eines der Griffe CLOSE/OPEN (Schließen/Öffnen) eingeprägt. Das „V“ auf dem Deckel mit der Markierung auf dem Gehäusegriff ausrichten, damit Deckel und Gehäuse richtig aufeinander ausgerichtet sind. Zum Schließen den Deckel in der angegebenen Richtung drehen, bis die Deckelgriffe direkt oberhalb der Gehäusegriffe zentriert sind.

Den Deckel nicht über diesen Punkt hinausdrehen.

Wenn der Deckel in die Schließposition gedreht wird, wird die Entlüftung/Deckelverriegelung unter die Verriegelungsklammer geschoben. Wenn die Griffe übereinander ausgerichtet sind, sitzt der Druckregler auf dem Entlüftungsrohr, und der Druck baut sich bei Beheizung im Inneren des Behälters auf.

In diesem Moment wird die Entlüftung/Deckelverriegelung angehoben und das Gerät gesperrt. Der Deckel bleibt solange gesperrt, wie der Behälter unter Druck steht. Wenn sich der Druck vollständig abgebaut hat, senkt sich die Entlüftung/Deckelverriegelung, und das Gerät kann geöffnet werden.

Vorbereitende Maßnahmen

- 1) Dieser Dampfsterilisator darf nur mit einem maximalen Druck von 1,08 bar (121 °C) betrieben werden.
- 2) Der Dampfsterilisator muss an einem Ort aufgestellt werden, an dem der Dampf ausreichend abziehen kann.
- 3) Den Netzstecker in die Netzsteckdose stecken.
- 4) Destilliertes oder demineralisiertes Wasser in die Sterilisierungskammer einfüllen, bis das Heizsystem bedeckt ist. Durch die Verwendung von destilliertem Wasser wird die Ablagerung von Kalkrückständen auf dem Heizelement vermieden. Für eine 20-minütige Sterilisierung sind ca. 500 ml Wasser erforderlich.
- 5) Auf dem Bedienfeld für Zeit/Temperatur leuchten zwei Anzeigen.
- 6) Vor der Programmierung muss der Parameterschutz (Sicherheitsschlüssel) gelöscht werden (siehe Abschnitt 16).

Einstellung der Sterilisierungstemperatur

- 1) Drücken Sie „SET“ auf der unteren Anzeige, bis „Set.1“ angezeigt wird.
- 2) Durch Drücken der Pfeiltasten erhöhen oder verringern Sie die Temperatur. Halten Sie die Taste gedrückt, erhöht oder verringert sich die Temperatur schnell. Drücken Sie zur Feineinstellung die Taste einmal.
- 3) Drücken Sie zum Speichern „SET“, und wiederholen Sie den Vorgang für die Set.2-Parameter.

WICHTIG: Set.1- UND Set.2-PARAMETER SOLLTEN DEN GLEICHEN WERT HABEN.

Einstellung der Sterilisierungszeit

- 1) Drücken Sie „SET“, bis auf der unteren Anzeige „MA.t“ angezeigt wird.
- 2) Wählen Sie mithilfe der Pfeile die Sterilisierungszeit aus. Die Sterilisierungszeit (in Minuten) wird auf der oberen Anzeige angezeigt.
- 3) Drücken Sie zum Speichern „SET“.

Sterilisationszyklen

- 1) Drücken Sie die Taste „SET“ 3 Sekunden lang, um den Zyklus zu starten. Die tatsächliche Temperatur wird auf der oberen Anzeige (weiß), die eingestellte Temperatur auf der unteren Anzeige (rot) angezeigt.
- 2) Wenn die Sterilisierungstemperatur erreicht wurde, wird auf der unteren Anzeige die verbleibende Zeit bis zum Ende des Zyklus angezeigt.
- 3) Das Ende des Sterilisationszyklus wird durch einen akustischen Alarm von wenigen Sekunden mitgeteilt.
- 4) Der Zyklus kann problemlos jederzeit durch fünf Sekunden langes Drücken der Taste „SET“ angehalten werden.
- 5) Öffnen Sie nach dem Abkühlen den Deckel, um das sterilisierte Material zu entnehmen.

Bedienfeldbefehle

SET	Taste zum Starten/Anhalten des Programms und zum Ändern der einzustellenden Parameter
▼ ▲	Tasten zum Erhöhen/Verringern von Zeit und Temperatur.

FNC

Taste für das Servicemenü. Ein Passwort ist erforderlich. Für das Servicepersonal

HINWEISE:

Alle Programmierungsschritte müssen in schneller Folge ausgeführt werden, andernfalls wird der Programmgeber auf Null zurückgesetzt. Das Programm kann durch Drücken der Taste „SET“ länger als fünf Sekunden beendet werden. Die einzigen Parameter, die ausgewählt werden können, sind Temperatur (SP1) und Zeit (t in 1).

Die ausgewählten Parameter bleiben auch gespeichert, wenn das Gerät ausgeschaltet wird.

Reinigung nach der Verwendung

- 1) Der Glanz der Außenfläche lässt sich mit einer guten Silberpolitur oder einfach mit Wasser und Seife erhalten. Das Innere kann durch Eisen und unterschiedliche Mineralien anlaufen. Diese Verfärbung wirkt sich jedoch in keiner Weise auf die Sterilisierung aus. Diese Verfärbungen sind unschädlich und können mithilfe einer Lösung aus Wasser und Weinsteincreme entfernt werden. Verwenden Sie auf 1,136 Liter Wasser einen Esslöffel Weinsteinlösung. Füllen Sie eine ausreichende Menge Lösung in den Behälter, bis die Verfärbung bedeckt ist (nicht über 2/3 befüllen), und schließen Sie den Deckel fest. Setzen Sie den Regler auf das Entlüftungsrohr, und heizen Sie den Behälter auf, bis 1,03 bar (15 psi) erreicht sind. Schalten Sie das Gerät aus, und lassen Sie es zwei bis drei Stunden stehen. Entfernen Sie den Regler, öffnen Sie das Gerät, und entleeren Sie es. Scheuern Sie das Innere gründlich mit seifetränkter Stahlwolle, spülen Sie es aus, und trocknen Sie es.
- 2) Bei jedem Auswaschen des Behälters den Dichtungsring entfernen, und diesen in warmem Seifenwasser waschen, abspülen, trocknen und wieder in den Deckel einsetzen.
- 3) Die Entlüftung/Deckelverriegelung kann zur gelegentlichen Reinigung oder für den Austausch der kleinen Dichtung entfernt werden. Alle Teile in warmem Seifenwasser waschen. Ein weiches Tuch oder eine kleine Nylonbürste verwenden, um die Deckelöffnung zu reinigen. Die kleine Dichtung muss beim Zusammenbau der Entlüftung/Deckelverriegelung wieder eingesetzt werden.
- 4) Der Überdruckstopfen kann zur Reinigung entfernt werden, indem er von der Unterseite des Deckels aus seiner Öffnung gezogen wird. Nach dem Reinigen den Stopfen wieder einsetzen, indem seine runde Seite von der Unterseite des Deckels in die Öffnung gedrückt wird. Wenn der Überdruckstopfen richtig eingesetzt ist, ist auf der Oberseite des Deckels das Wort „TOP“ (OBEN) lesbar. Von der Unterseite des Deckels sollte der eingekerbte Teil des Überdruckstopfens sichtbar sein. Wenn der Überdruckstopfen aufgrund von Überdruck während der Sterilisierung herausgedrückt wird, muss der Behälter vor der weiteren Verwendung gründlich überprüft werden. Versuchen Sie nicht, den Überdruckstopfen wieder einzusetzen; wenden Sie sich an den Kundendienst.

- 5) Vor jeder Verwendung sicherstellen, dass das Entlüftungsrohr geöffnet ist. Das Entlüftungsrohr mit einer kleinen Bürste oder einem Rohrreiniger reinigen.
- 6) Wenn das Gerät nicht verwendet wird, den Deckel verkehrt herum auf das Gehäuse legen, und das Gerät an einem trockenen Ort lagern. Wenn das Gerät mit verriegeltem Deckel gelagert wird, kann dies zu einer Verformung des Dichtungsringes führen.

Grundwartung

- 1) **VORSICHT:** Zur Gewährleistung des sicheren Betriebs und der gewünschten Leistung den Überdruckstopfen mindestens bei jedem Austausch des Dichtungsringes ersetzen oder auch früher, wenn er hart wird oder sich verformt. In jedem Fall ist der Überdruckstopfen alle zwei Jahre zu ersetzen. Eine Nichtbeachtung dieser Anweisung kann zu Verletzungen oder Sachschäden führen.
- 2) Wenn sich die Gehäuse- oder Deckelgriffe lockern, diese mit einem Schraubendreher festziehen.
- 3) Wenn während der Verwendung des Geräts Feuchtigkeit oder Dampf austritt, die folgenden möglichen Ursachen überprüfen:
 - Die Bildung einer geringen Feuchtigkeitsmenge unterhalb des Druckreglers ist zu Beginn der Aufheizung normal. Diese Kondensation entsteht, weil die Temperatur des Druckreglers unter der des restlichen Behälters liegt. Wenn die übermäßige Kondensation bestehen bleibt, ist das Entlüftungsrohr möglicherweise locker und sollte mit einem verstellbaren Schraubenschlüssel angezogen werden.
 - Undichtigkeit zwischen dem Deckel und dem Gehäuse entsteht in der Regel durch Schrumpfen des Dichtungsringes aufgrund von Überalterung. Den Dichtungsring, den Überdruckstopfen und den Manometeradapter austauschen.
 - Eine geringe Undichtigkeit um die Entlüftung/Deckelverriegelung ist zu Beginn der Sterilisation normal. Wenn die Undichtigkeit bestehen bleibt, sind die Deckelgriffe möglicherweise nicht vollständig oberhalb der Gehäusegriffe ausgerichtet, und die Deckelverriegelung kann nicht arretiert werden. Die Entlüftung/Deckelverriegelung gelegentlich reinigen, um die Funktionsfähigkeit zu gewährleisten.
 - Eine geringe Menge von Dampf oder Feuchtigkeit kann zu Beginn der Sterilisation um den Überdruckstopfen auftreten. Dies hört auf, sobald sich der Überdruckstopfen verschließt. Wenn die Undichtigkeit bestehen bleibt, den Überdruckstopfen reinigen oder ersetzen.
- 4) Wenn sich der Druckbehälter schwer öffnen oder schließen lässt, und sich der Dichtungsring ausgedehnt hat, den Dichtungsring ersetzen.

- 5) **WICHTIG:** Mit der Zeit kann der Dichtungsring schrumpfen, und die kleine Dichtung der Entlüftung/Deckelverriegelung, der Überdruckstopfen und der Manometeradapter können sich verhärten und verformen. In diesem Fall den Dichtungsring, die kleine Dichtung, den Überdruckstopfen und den Manometeradapter ersetzen. Der Dichtungsring, der Überdruckstopfen und der Manometeradapter sollten mindestens alle zwei Jahre ersetzt werden.

Vor dem Einsetzen eines neuen Dichtungsringes die Dichtungsringnut mit einer Bürste reinigen. Zur Gewährleistung eines sicheren Betriebs des Geräts wird empfohlen, den Manometeradapter und den Überdruckstopfen jedes Mal zusammen mit dem Dichtungsring zu ersetzen.

- 6) **Korrosionsvermeidung:** Wenn zwei unterschiedliche Metalle mit unterschiedlichen chemischen Eigenschaften durch einen Elektrolyten miteinander in Kontakt kommen, findet ein Elektronenaustausch statt. Dieser als galvanische Korrosion bezeichnete Prozess führt zu einer Oxidation des schwächsten Metalls. Bei einem Aluminium-Autoklav kann dieser natürliche Effekt mit der Zeit zu schwerwiegenden Schäden am Behälter führen.

Zur Verhinderung dieser Korrosion sind alle Aluminiumautoklaven mit einem speziellen Schutzkörper ausgestattet (Teilenummer 481-0721). Dabei handelt es sich um eine kleine Scheibe, die am Gehäusebehälter festgeschraubt ist und aus einem Metall besteht, das leichter oxidiert als Aluminium. Dies bedeutet, dass der galvanische Strom diesen Schutzkörper durchströmt, und dieser anstatt des Autoklavbehälters korrodiert. Wenn der Schutzkörper vollständig abgenutzt ist, beginnt der Autoklavbehälter zu korrodieren. Es ist daher von größter Wichtigkeit, den Schutzkörper regelmäßig zu überprüfen und zu ersetzen, bevor er abgenutzt ist. Es wird empfohlen, einige Ersatzschutzkörper zu bestellen, damit der Autoklav stets mit einem eingesetzten Schutzkörper betrieben wird.

Austausch des Heizelements

Die Stromversorgung trennen, die beiden Befestigungsschrauben unten an der Außenseite der Sterilisierungskammer lösen und ein neues Heizelement einsetzen. Für den Zusammenbau in umgekehrter Reihenfolge vorgehen.

Darauf achten, dass der Wasserspiegel in der Sterilisierungskammer immer das Heizelement bedeckt.

Temperatur-/Druckwerte

Temperatur (°C)	100	102	105	109	112	115	119	120
Druck in (PSI)	0	1,45	2,90	5,80	7,25	10,15	13,05	14,50

Ersatzteile



	Bezeichnung	Best.-Nr.
1	Manometer	481-0717
2	Heizelement 200 V 1300 W (110 V auf Anfrage)	481-0777
3	Deckeldichtung	481-0719
4	Überdruckstopfen	481-0720
5	Hauptschalter	481-0779
6	Schutzkörper	481-0721
7	Druckregler	481-0722
8	Steuerung für Autoklav	481-0848
9	Drucker	481-0840
10	Schwarzer Startknopf	481-0839
	Druckerpapier	481-0775

Einstellung des Sicherheitsschlüssels für die Parameter

Die ausgewählten Parameter sollten vor Manipulationen geschützt werden:

- Mehrfach auf „ENTER“ drücken, bis auf der Anzeige „nnn“ angezeigt wird.
- Mithilfe der Pfeile eine andere Zahl als 3 auswählen und auf „ENTER“ drücken.

Diese Zahl wird bei jeder Änderung des eingestellten Parameters abgefragt.

So löschen Sie den Parameterschutz:

- Mehrfach auf „ENTER“ drücken, bis auf der Anzeige „nnn“ angezeigt wird.
- Mithilfe der Pfeile die Zahl 3 auswählen und auf „ENTER“ drücken.

Es ist kein Kennwort mehr für den Programmgeber erforderlich.

Druckeraufzeichner (optional)

Der Autoklav verfügt über einen Anschluss für einen Temperaturdrucker.

Druckeraufzeichnungen:

- Datum
- Chargennummer
- Die während des Abschnitts der programmierten Zeit aufgezeichnete Temperatur
- Fortlaufende Nummer der Sterilisierungen, die automatisch vergeben wird

Date:	2004/01/01	(A)
Name:	-----	(B)
Batch:	1	(B)
	96	10
	99	10
	105	10
	110	10
	115	10
	117	10
	119	10

(C) points to the first column of numbers, and (D) points to the second column of numbers.

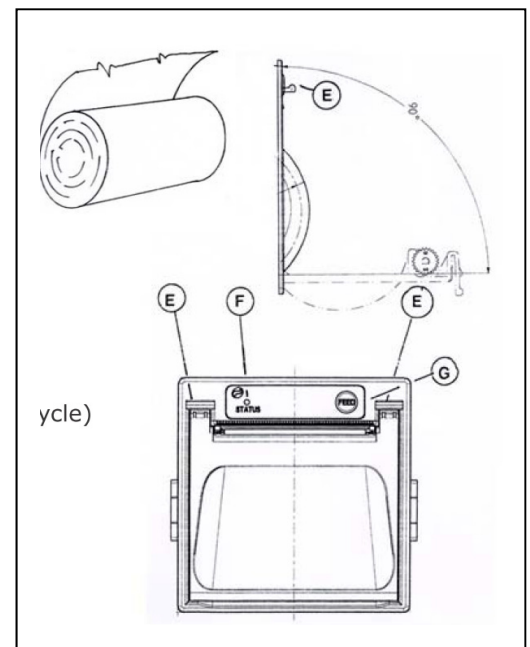
Einlegen des Papiers

Auf die beiden Hebel (E) drücken, die Abdeckung öffnen und das Papier wie dargestellt einlegen.

Wenn das Papier ordnungsgemäß eingelegt ist, leuchtet die LED (F).

Eine blinkende LED zeigt an, dass das Papier nicht korrekt eingelegt ist.

Durch Drücken der Taste (G) kann das Papier transportiert werden.



Sicherheitsvorkehrungen

Öffnen und Schließen

Der Autoklav verfügt über einen Sicherheitsblock, bei geöffnetem Deckel. Dieser Block verhindert, dass der Deckel auf die Hand des Bedieners fallen kann. Stellen Sie **IMMER** sicher, dass der Block ordnungsgemäß funktioniert und stets genügend Platz zwischen dem Instrument und der Wand vorhanden ist, damit der Deckel vollständig geöffnet und dadurch der Block aktiviert werden kann.

Nach einem durchlaufenen Zyklus darf das Gerät erst geöffnet werden, wenn die Temperatur unter 70 °C gesunken und der Innendruck gleich 0 ist. Autoklaven sind mit Sicherheitseinrichtungen ausgestattet, um versehentliches Öffnen zu verhindern. Die Tür in diesem Fall **NICHT MIT GEWALT** öffnen.

Es wird davon abgeraten, den Autoklav bei abgeschalteter Stromversorgung zu öffnen.

Personensicherungssysteme (PSS)

Alle Sicherheitseinrichtungen an diesem Autoklav verhindern ein versehentliches Öffnen. Dennoch kann Sterilisationsgut während eines Zyklus einem Temperaturschock ausgesetzt sein, der beim Öffnen zu Brüchen führen kann, wenn auch nur unter seltenen Umständen. Folgende PSS-Arbeitskleidung sollte in der Nähe des Geräts zugänglich sein und grundsätzlich vom Personal getragen werden:

- Hitzebeständige Handschuhe
- Hitzebeständiger Gesichtsschutz (z. B. aus Polycarbonat)
- Schutzbrille
- Labormantel

Sterilisation von Flüssigkeiten

Beachten Sie, dass Flüssigkeiten innerhalb von Sterilisationsgut eine höhere Wärmekapazität haben als der Dampf in der Kammer. Aus diesem Grund sinkt ihre Temperatur immer der gemessenen Temperatur in der Kammer hinterher. Je viskoser oder voluminöser die Flüssigkeit ist, desto wahrscheinlicher ist es, dass dieses Phänomen auftreten kann.

Das bedeutet: Wenn die Temperatur in der Kammer weniger als 100 °C beträgt, kann die der Flüssigkeit innerhalb des Sterilisationsguts höher sein. Wenn dann der Autoklav geöffnet wird, kann die innere Flüssigkeit (die eine viel höhere Temperatur hat) heraussprudeln und die innere Kammer verschmutzen, oder der Bediener kann Spritzer abbekommen, was noch schlimmer wäre. Wenn der Behälter dann geschlossen wird, kann er explodieren.

Beachten Sie beim Sterilisieren von Flüssigkeiten stets, dass ein Unterschied von **mindestens** 20 °C zwischen der Temperatur in der Kammer und der Temperatur des

Sterilisationsguts besteht. Das Gerät sollte daher bei einer Temperatur von 50 °C geöffnet werden.

Es wird dringend davon abgeraten, Flüssigkeiten in Behältern mit einem Fassungsvermögen von über 2 Litern zu sterilisieren.

Technischer Kundendienst

Web-Ressourcen

Auf der VWR Website unter www.vwr.com finden Sie die folgenden Informationen:

- Alle Kontaktdaten des technischen Kundendienstes
- VWR Online-Katalog sowie Informationen über Zubehör und zugehörige Produkte
- Weiterführende Produktinformationen und Sonderangebote

Kontakt Wenn Sie Informationen oder technische Unterstützung benötigen, wenden Sie sich an Ihr VWR Vertriebszentrum oder besuchen Sie unsere Website unter www.vwr.com

Gewährleistung

VWR International gewährleistet, dass dieses Produkt ab Lieferung zwei (2) Jahre frei von Material- und Herstellungsfehlern ist. Liegt ein Fehler vor, entscheidet VWR nach eigenem Ermessen, das Produkt kostenlos zu reparieren oder auszutauschen oder dem Kunden den Kaufpreis des Produkts zu erstatten, sofern es innerhalb des Gewährleistungszeitraums zurückgesendet wird. Diese Gewährleistung erlischt, wenn das Produkt, versehentlich oder absichtlich, durch unsachgemäßen Gebrauch oder durch normalen Verschleiß beschädigt wurde. Sofern die erforderlichen Wartungsarbeiten und Inspektionen nicht entsprechend der Bedienungsanleitung und den lokalen Erfordernissen durchgeführt werden, erlischt die Gewährleistung, es sei denn, dieses Unterlassen ist nicht ursächlich für den auftretenden Fehler des Produktes.

Zurückgesendete Artikel müssen vom Kunden gegen Schäden und Verlust versichert werden.

Diese Gewährleistung ist auf die zuvor genannten Rechte beschränkt. ES WIRD AUSDRÜCKLICH VEREINBART, DASS DIESE GEWÄHRLEISTUNG ANSTELLE JEGLICHER GEWÄHRLEISTUNG DER EIGNUNG UND ANSTELLE DER GEWÄHRLEISTUNG DER ALLGEMEINEN GEBRAUCHSTAUGLICHKEIT GILT.

Befolgung lokaler Gesetze und anderer Rechtsvorschriften

Der Kunde ist dafür verantwortlich, die notwendigen behördlichen Genehmigungen und anderen Bewilligungen zu beantragen und zu erhalten, die erforderlich sind, das erworbene Produkt an seinem Standort zu betreiben und zu nutzen. VWR kann nicht haftbar gemacht werden, wenn der Kunde es unterlässt, die hierzu erforderlichen Handlungen vorzunehmen, oder dafür, dass die notwendigen Genehmigungen oder Bewilligungen nicht erteilt werden, es sei denn, eine entsprechende Ablehnung ist auf einen Mangel des Produktes zurückzuführen.

Entsorgung des Produktes



Dieses Produkt ist mit dem Symbol der „durchgestrichenen Mülltonne“ versehen. Das bedeutet, dass dieses Produkt nicht mit dem Restmüll entsorgt werden darf. Stattdessen ist es in Ihrer Verantwortung, das Produkt am Ende der Nutzungsdauer ordnungsgemäß zu entsorgen, indem Sie es an eine autorisierte Entsorgungseinrichtung geben, die das Produkt separat sammelt und dem Recycling zuführt. Sie sind außerdem dafür verantwortlich, die Anlage im Falle einer biologischen, chemischen bzw. radioaktiven Verunreinigung zu dekontaminieren, um die Personen, die mit der Entsorgung und dem Recycling beauftragt sind, keiner Gesundheitsgefahr auszusetzen. Weitere Informationen über den Ort, an dem Sie Ihr Produkt abgeben können, erhalten Sie bei Ihrem Händler vor Ort, bei dem Sie das Produkt ursprünglich gekauft haben.

Wenn Sie wie oben beschrieben vorgehen, helfen Sie, natürliche Ressourcen zu schonen und stellen sicher, dass Ihr Produkt so recycelt wird, dass die Gesundheit der Menschen geschützt wird.

Vielen Dank!

Table des matières

Utilisation du manuel	31
Informations de sécurité	31
Précautions lors de l'installation	31
Description de l'unité	32
Alimentation électrique	33
Avant la première utilisation	33
Opérations préliminaires	34
Programmation de la température de stérilisation	34
Programmation de la durée de la stérilisation	35
Cycle de stérilisation	35
Commandes du panneau	35
Nettoyage après utilisation	36
Maintenance générale	37
Remplacement de l'élément chauffant	38
Température/Pression	38
Pièces de rechange	39
Réglage de la touche de sécurité des paramètres	39
Enregistreur d'imprimante (en option)	40
Consignes de sécurité	41
Assistance technique	42
Garantie	42
Mise au rebut	43

Utilisation du manuel

Ce manuel vous aidera à utiliser votre appareil de manière efficace. Nous vous conseillons de le garder à proximité de votre appareil pour pouvoir le consulter facilement.

Informations de sécurité

- N'utilisez le dispositif que pour les applications indiquées.
- Avant toute utilisation, lisez ce manuel d'instructions afin d'installer le dispositif correctement.
- Ne débranchez jamais l'appareil en tirant sur le câble électrique relié à la prise.
- Remplacez immédiatement les câbles électriques endommagés.
- Lorsque vous retirez l'élément branché sur le système électrique, faites attention au câble de raccordement électrique.
- Débranchez toujours l'appareil de sa source d'alimentation dans les cas suivants :
 - A. Réparation ou maintenance. Ces opérations doivent être réalisées par du personnel qualifié uniquement.
 - B. Nettoyage de l'unité
 - C. En cas de remplacement, utilisez des pièces de rechange et des accessoires d'origine.

N'utilisez pas ce dispositif en présence de gaz explosifs.

Précautions pendant l'installation



Lorsque la prise du système électrique est incompatible avec la prise du dispositif, remplacez-la en veillant aux couleurs codifiées de câble.

Marron : sous tension - Bleu : neutre - Jaune/vert : mise à la terre



Assurez-vous que la tension et la fréquence du système électrique sont compatibles avec le dispositif.



Le dispositif doit être branché à un fil de terre. Pour toute question, contactez un électricien qualifié. Avant de démarrer le dispositif, vérifiez que les grilles d'aération ne sont pas obstruées.

Description de l'unité

Le stérilisateur à vapeur VAPOUR-LINE *lite* II se compose des éléments suivants :

Jauge de pression

La jauge de pression enregistre la pression (PSI). Le pointeur se déplace autour du cadran pour indiquer avec précision la pression dans l'unité.

Adaptateur de la jauge de pression

L'adaptateur de la jauge de pression raccorde la jauge de pression au couvercle du récipient.

Régulateur de pression

Le régulateur de pression est une unité solide en une seule partie. Des mesures de pression précises peuvent être contrôlées et conservées en ajustant les réglages de chaleur.

Conduit de l'évent d'aération

Le régulateur de pression s'adapte sur le conduit de l'évent et permet d'évacuer la pression en excès.

Verrouillage du couvercle de l'évent d'aération

L'évent d'aération/le verrouillage du couvercle « ventile » ou évacue l'air du récipient et indique visuellement la pression dans l'unité.

Support de verrouillage

Le support de verrouillage à l'intérieur du corps du récipient s'emboîte dans l'évent d'aération/le verrouillage du couvercle pour empêcher l'ouverture du couvercle lorsque l'unité est sous pression.

Bague d'étanchéité

L'anneau de scellage s'adapte au couvercle du récipient et forme un joint hermétique à la pression entre le couvercle et le corps lors de la stérilisation.

Bouchon de surpression

Le bouchon de surpression se trouve dans le couvercle du récipient. Il s'ouvre automatiquement et libère la vapeur si le conduit de l'évent est obstrué et que la pression ne peut pas être évacuée normalement.

Panier de chargement LITEbox

Récipient et couvercle avec deux poignées périphériques

Dispositif électronique pour thermorégulation

Interrupteur principal

Imprimante en option

Alimentation électrique

220 - 240 V - monophasé c.a., 1300 W.

Cette unité doit être mise à la terre. Elle est livrée avec une prise secteur et des contacts de sécurité.

En cas de remplacement de la prise secteur, le fil secteur (de couleur vert et jaune) doit être raccordé à la borne de terre de la nouvelle prise.

Si vous utilisez une alimentation secteur sans mise à la terre, l'unité doit être raccordée à une mise à la terre.

Avant la première utilisation

1) Retirez l'évent d'aération/le verrouillage du couvercle du récipient.

La partie de l'évent d'aération/du verrouillage du couvercle à l'intérieur du couvercle doit être dévissée à partir de la broche.

2) Retirez l'anneau de scellage en le sortant simplement de sa rainure.

3) Lavez le couvercle et le corps avec de l'eau savonneuse chaude. Ne plongez pas le couvercle dans l'eau et ne laissez pas la jauge toucher un liquide. Le mécanisme intérieur de la jauge peut être endommagé en cas d'immersion ou de contact avec de l'eau. Frottez la rainure de l'anneau de scellage afin d'éliminer les huiles de fabrication. Décapez l'intérieur du corps de la fermeture et du couvercle avec un nettoyant pour aluminium non alcalin ou un tampon de laine d'acier. Rincez à l'eau chaude et séchez.

4) Réinsérez l'évent d'aération/le verrouillage du couvercle en vous assurant que le petit joint est en place.

5) Remplacez l'anneau de scellage dans la rainure correspondante.

L'anneau de scellage est prélubrifié, par conséquent, il n'est pas nécessaire de l'enduire d'huile. Une lubrification fréquente pourrait faire gonfler l'anneau de scellage.

6) Si le couvercle est difficile à ouvrir ou à fermer, utilisez un pinceau, un chiffon ou le bout des doigts pour appliquer une légère couche d'huile sous les ergots du corps du récipient. Le couvercle doit s'ouvrir et se fermer facilement.

Assurez-vous que le conduit de l'évent est ouvert avant chaque utilisation en tenant le couvercle vers le haut en direction de la lumière et en regardant par le conduit de l'évent. Si le conduit de l'évent est obstrué, la pression en excès ne peut pas être évacuée. Elle va continuer à s'accumuler jusqu'à ce que le bouchon de surpression du couvercle s'ouvre.

La pression est indiquée sur la jauge à cadran qui enregistre la pression à l'intérieur de l'unité à tout moment. Le pointeur se déplace sur le cadran lorsque la pression augmente ou diminue dans

le récipient. Le régulateur en une pièce est conçu pour s'activer uniquement à une pression de 15 livres.

Ne cognez pas un ustensile sur le rebord du corps du récipient, car cela causerait des éclats pouvant endommager le rebord et laisser la vapeur sortir. Si vous versez de l'eau dans un récipient sec surchauffé, le métal peut se fissurer. Le récipient a été conçu de sorte que le couvercle se trouve dans une seule position et tourne uniquement dans les directions indiquées pour la fermeture et l'ouverture. Appuyez sur les poignées du couvercle pour enfoncer l'anneau de scellage et faciliter la fermeture du couvercle. Sur le couvercle, les mots CLOSE/OPEN sont gravés sur la surface supérieure à côté de la poignée. Alignez le « V » sur le couvercle avec le repère sur la poignée du corps pour que le couvercle et le corps soient correctement alignés. Tournez le couvercle dans la direction indiquée pour la fermeture jusqu'à ce que les poignées du couvercle soient centrées directement au-dessus des poignées du corps.

Ne tournez pas le couvercle au-delà de ce point.

Lorsque vous tournez le couvercle jusqu'en position de fermeture, l'évent d'aération/le verrouillage du couvercle passe sous le support de verrouillage. Lorsque les poignées sont alignées l'une sur l'autre, le régulateur de pression est placé sur le conduit de l'évent, et la chaleur est appliquée. La pression commence alors à s'accumuler dans le récipient.

À ce niveau, l'évent d'aération/le verrouillage du couvercle est relevé et l'unité est verrouillée. Le couvercle reste verrouillé tant que le récipient est sous pression. Lorsque la pression est totalement réduite, l'évent d'aération/le verrouillage du couvercle est désactivé, ce qui permet l'ouverture de l'unité.

Opérations préliminaires

- 1) Ce stérilisateur à vapeur ne doit être utilisé que pour une pression maximale de 1,08 bar (121 °C).
- 2) Le stérilisateur à vapeur doit être placé dans un endroit permettant d'évacuer la vapeur de manière adéquate.
- 3) Raccordez la prise à l'alimentation secteur.
- 4) Versez de l'eau distillée ou déminéralisée dans la chambre de stérilisation pour couvrir le système de chauffage. L'utilisation d'eau distillée évite la production de dépôts calcaires sur l'élément chauffant. 20 min de stérilisation consomment environ 500 ml d'eau.
- 5) Le panneau de commande heure/température comporte deux affichages éclairés.
- 6) Avant la programmation, il est nécessaire d'effacer la protection des paramètres (touches de sécurité). Reportez-vous au paragraphe 16.

Réglage de la température de stérilisation

- 1) Appuyez sur « SET » sur l'affichage inférieur jusqu'à ce que « Set.1 » s'affiche.

- 2) Augmentez ou diminuez la température à l'aide des flèches. En maintenant le bouton enfoncé, la température augmente ou diminue rapidement. Pour un réglage précis, appuyez sur le bouton une seule fois.
- 3) Appuyez sur « SET » pour enregistrer dans la mémoire et répétez la même procédure pour le paramètre « Set.2 ».

IMPORTANT. LES PARAMÈTRES « Set.1 » ET « Set.2 » DOIVENT AVOIR LA MÊME VALEUR

Réglage du délai de stérilisation

- 1) Appuyez sur « SET » jusqu'à ce que « MA.t » soit indiqué dans l'affichage inférieur.
- 2) Sélectionnez la durée de la stérilisation à l'aide des flèches. La durée de la stérilisation (en minutes) est indiquée dans l'affichage supérieur.
- 3) Appuyez sur « SET » pour enregistrer dans la mémoire.

Cycle de stérilisation

- 1) Appuyer sur le bouton « SET » pendant 3 secondes pour démarrer le cycle. La température réelle est indiquée dans l'affichage supérieur (blanc) et la température définie est indiquée dans l'affichage inférieur (rouge).
- 2) Lorsque la température de stérilisation est atteinte, le temps restant pour atteindre la fin du cycle est indiqué dans l'affichage inférieur.
- 3) La fin du cycle de stérilisation est indiquée par une alarme sonore pendant quelques secondes.
- 4) Le cycle peut être interrompu à tout moment en appuyant simplement sur le bouton « SET » pendant cinq secondes.
- 5) Une fois le récipient totalement refroidi, ouvrez le couvercle pour sortir le produit stérilisé.

Commandes du panneau

SET	Pour démarrer/arrêter le programme et modifier les paramètres à définir
▼ ▲	Pour augmenter/diminuer la durée et la température
FNC	Pour ouvrir le menu Service. Un mot de passe sera nécessaire. Bouton destiné à être utilisé par le service technique

REMARQUES :

Toutes les opérations de programmation doivent être réalisées en séquence rapide, autrement le dispositif de programmation est remis à zéro. Le programme peut être interrompu en appuyant sur le bouton « SET » pendant plus de cinq secondes. Les seuls paramètres à sélectionner sont la température (SP1) et le délai (t in 1).

Les paramètres sélectionnés restent mémorisés même après la mise hors tension de l'instrument.

Nettoyage après utilisation

- 1) L'éclat et la brillance de la surface extérieure peuvent être préservés par un nettoyage avec une pâte à polir pour métaux argentés ou simplement par un lavage à l'eau savonneuse. Le fer et les différents minéraux présents dans l'eau peuvent assombrir l'intérieur, mais cette décoloration n'affecte en aucun cas la stérilisation. Ces colorations ne sont pas nuisibles et peuvent être éliminées en utilisant une solution à base d'eau et de crème de tartre. Utilisez une cuillère à café de crème de tartre par litre d'eau. Versez suffisamment de solution dans le récipient pour couvrir la décoloration (ne remplissez pas au-delà des 2/3), puis fermez correctement le couvercle. Placez le régulateur sur le conduit de l'évent jusqu'à ce qu'une pression de 7 kg (15 livres) soit atteinte. Mettez l'unité hors tension et laissez-la immobile pendant deux à trois heures. Retirez le régulateur, ouvrez et videz le contenu. Décapez soigneusement avec un chiffon en laine de verre imprégné de savon. Lavez, rincez et séchez.
- 2) Chaque fois que vous lavez le récipient, retirez l'anneau de scellage et lavez-le dans de l'eau savonneuse, rincez, séchez et remettez le couvercle.
- 3) L'évent d'aération/le verrouillage du couvercle peuvent être retirés pour un nettoyage occasionnel ou pour le remplacement du petit joint. Lavez toutes les pièces dans de l'eau savonneuse chaude. Utilisez un chiffon doux ou une petite brosse en nylon pour nettoyer l'orifice du couvercle. Le petit joint doit être en place lorsque vous remontez l'évent d'aération/le verrouillage du couvercle.
- 4) Le bouchon de surpression peut être retiré pour le nettoyage. Il suffit de le sortir de son ouverture en passant par la partie inférieure du couvercle. Après le nettoyage, remettez le bouchon en place en appuyant sur son côté rond pour l'insérer dans l'ouverture en passant par la partie inférieure du couvercle. Lorsque le bouchon de surpression est bien en place, le mot « TOP » est visible lorsque vous visualisez l'extérieur du couvercle. La partie dentée du bouchon de surpression est visible lorsque la partie inférieure du couvercle est visible. Si vous forcez le bouchon de surpression à sortir de l'ouverture du couvercle en raison d'une pression excessive lors de la stérilisation, il est important que le récipient soit inspecté correctement avant toute utilisation. Ne tentez pas de remplacer le bouchon de surpression et faites une demande d'entretien.
- 5) Avant chaque utilisation, veillez à ce que le conduit de l'évent soit ouvert. Nettoyez le conduit de l'évent avec une petite brosse ou un nettoyeur pour conduits.

- 6) Lorsque l'unité n'est pas utilisée, inversez le couvercle sur le corps et stockez l'unité dans un endroit sec. Le stockage de l'unité avec le couvercle verrouillé peut déformer l'anneau de scellage.

Maintenance générale

- 1) **ATTENTION** : pour garantir le bon fonctionnement et des performances satisfaisantes du système, remplacez le bouchon de surpression chaque fois que vous remplacez l'anneau de scellage, ou plus tôt s'il se solidifie ou se déforme. Dans tous les cas, remplacez le bouchon de surpression tous les 2 ans. Le non-respect de ces instructions peut entraîner des dommages corporels ou matériels.
- 2) Si les poignées du corps ou du couvercle se desserrent, resserrez-les avec un tournevis.
- 3) Lors de l'utilisation de l'unité, s'il y a une fuite d'eau ou de vapeur, recherchez les causes possibles suivantes :
 - La formation d'une petite quantité d'eau sous le régulateur de pression est normale au début du premier chauffage. Cette condensation résulte de la différence de température entre le régulateur de pression, légèrement inférieure, et le reste du récipient. Si la condensation en excès est toujours présente, le conduit de l'évent est peut-être desserré et doit être resserré avec une clé réglable.
 - Une fuite entre le couvercle et le corps est généralement causée par un rétrécissement de l'anneau de scellage après une utilisation prolongée. Remplacez l'anneau de scellage, le bouchon de surpression et l'adaptateur de la jauge de pression.
 - Une petite fuite autour de l'évent d'aération/de verrouillage du couvercle est normale au début de la stérilisation. Si la fuite est toujours présente, les poignées du couvercle ne sont peut-être pas alignées totalement sur les poignées du corps et, de ce fait, le verrouillage du couvercle ne s'engage pas. Nettoyez l'évent d'aération/de verrouillage du couvercle de temps en temps pour vous assurer de leur bon fonctionnement.
 - Une petite quantité de vapeur ou d'eau peut être visible autour du bouchon de surpression au début de la stérilisation. Cela s'arrête lorsque le bouchon de surpression assure l'étanchéité. Si la fuite est toujours présente, nettoyez ou remplacez le bouchon de surpression.
- 4) Si le récipient sous pression est difficile à ouvrir ou à fermer, et que l'anneau de scellage s'est dilaté, remplacez l'anneau de scellage.
- 5) **IMPORTANT** : dans le temps, l'anneau de scellage peut rétrécir et l'évent d'aération/de verrouillage du couvercle, le petit joint, le bouchon de surpression et l'adaptateur de la jauge de pression peuvent se solidifier et se déformer. Lorsque cela se produit, remplacez l'anneau de scellage, le petit joint, le bouchon de surpression et l'adaptateur de la jauge de pression.

L'anneau de scellage, le bouchon de surpression et l'adaptateur de la jauge de pression doivent être remplacés au moins tous les 2 ans.

Avant d'insérer un nouvel anneau de scellage, nettoyez la rainure de l'anneau de scellage avec une brosse. Pour assurer un bon fonctionnement de l'unité, il est recommandé de remplacer l'adaptateur de la jauge de pression et le bouchon de surpression chaque fois que l'anneau de scellage est remplacé.

- 6) Technique anti-corrosion : lorsque deux métaux différents avec des propriétés chimiques différentes entrent en contact par le biais d'un électrolyte, il y a un échange d'électrons. Ce processus, appelé « corrosion galvanique », correspond au début de l'oxydation du métal de poids moléculaire le plus faible. Dans l'autoclave à récipient en aluminium, cet effet naturel peut finir par endommager gravement le récipient.

Pour empêcher cette corrosion, tous les autoclaves en aluminium sont équipés d'un dispositif spécial appelé « corps sacrifié » (référence 481-0721). Il s'agit d'un petit disque, dans un métal qui s'oxyde plus facilement que l'aluminium, fixé avec une vis au corps du récipient. Cela signifie que le courant galvanique circule dans le corps sacrifié, qui est corrodé à la place du récipient de l'autoclave. Si le corps sacrifié est complètement usé, le récipient de l'autoclave commence à se corroder. L'état du corps sacrifié doit donc être vérifié de temps en temps afin de le remplacer avant qu'il ne soit totalement usé. Il est recommandé de commander des corps sacrifiés de rechange afin de toujours utiliser l'autoclave avec un corps sacrifié à l'intérieur.

Remplacement de l'élément chauffant

Débranchez l'alimentation électrique, dévissez les deux écrous de fixation sur la partie inférieure externe de la chambre de stérilisation et insérez un nouvel élément chauffant. Pour le remontage, répétez la même procédure dans l'ordre inverse.

Assurez-vous que le niveau d'eau dans la chambre de stérilisation couvre toujours l'élément chauffant.

Température/Pression

Température (°C)	100	102	105	109	112	115	119	120
Pression (psi)	0	1,45	2,90	5,80	7,25	10,15	13,05	14,50

Pièces de rechange



	Description	Code article
1	Manomètre	481-0717
2	Élément chauffant 200 V 1300 W (110 V sur demande)	481-0777
3	Joint d'étanchéité	481-0719
4	Bouchon de surpression	481-0720
5	Interrupteur principal	481-0779
6	Corps sacrifié	481-0721
7	Régulateur de pression	481-0722
8	Contrôleur pour autoclave	481-0848
9	Printer	481-0840
10	Black start button	481-0839
	Printer paper	481-0775



Réglage de la touche de sécurité des paramètres

Les paramètres sélectionnés doivent être protégés pour éviter les altérations :

- Appuyez plusieurs fois sur « ENTER » jusqu'à ce que « nnn » apparaisse sur l'affichage
- Sélectionnez un nombre différent de 3 à l'aide des flèches, puis appuyez sur « ENTER »

Ce nombre vous sera demandé à chaque modification du paramètre défini.

La protection des paramètres est effacée lorsque vous :

- appuyez plusieurs fois sur « ENTER » jusqu'à ce que « nnn » apparaisse sur l'affichage
- sélectionnez le nombre 3 à l'aide des flèches et que vous appuyez sur « ENTER »

Le programmeur ne demandera plus le mot de passe.

Enregistreur d'imprimante (en option)

L'autoclave est fourni avec une connexion pour imprimante thermique.

Enregistrements de l'imprimante :

- Date
- Numéro de lot
- Température enregistrée lors du segment de temps programmé
- Nombre progressif de stérilisations réalisées automatiquement

Date:	2004/01/01	(A)
Name:	_____	
Batch:	1	(B)
	96	10
	99	10
	105	10
	110	10
	115	10
	117	10
	119	10

(C) points to the first column of numbers (96, 99, 105, 110, 115, 117, 119). (D) points to the second column of numbers (10, 10, 10, 10, 10, 10, 10).

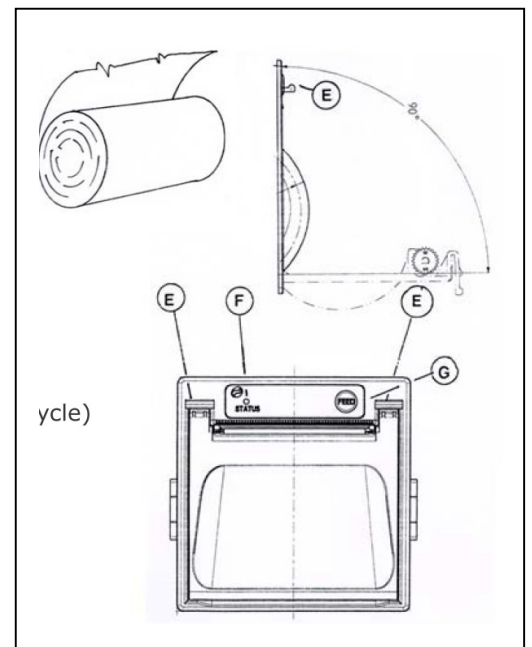
Insertion du papier

En appuyant sur les deux leviers (E), ouvrez le panneau et insérez le papier, comme indiqué.

Si le papier est correctement en place, la LED en position F s'allume.

Une LED qui clignote indique que le papier n'est pas correctement en place.

En appuyant sur le bouton G, vous pouvez faire avancer le papier.



Consignes de sécurité

Ouverture et fermeture

L'autoclave est doté d'un système de blocage de sécurité lorsque le couvercle est ouvert. Ce système évite que le couvercle ne tombe sur les mains de l'opérateur. Vérifiez TOUJOURS que le blocage fonctionne correctement et qu'il y a suffisamment de place entre l'appareil et le mur derrière pour pouvoir ouvrir le couvercle complètement et permettre l'activation du système de blocage.

Au bout d'un cycle, l'appareil ne doit être ouvert que lorsque la température est inférieure à 70 °C et que la pression interne est à 0. Les autoclaves sont équipés de dispositifs de sécurité qui évitent une ouverture accidentelle. Dans ce cas, **NE FORCEZ PAS** l'ouverture de l'instrument.

Il est **DÉCONSEILLÉ** d'ouvrir l'autoclave lorsqu'il est hors tension.

Systèmes de sécurité personnalisés (PSS)

Tous les dispositifs de sécurité de cet autoclave évitent les ouvertures accidentelles. Cependant, les charges stérilisées peuvent subir un choc thermique pendant un cycle, entraînant des dommages au moment de l'ouverture, bien que ce phénomène soit très rare. L'équipement PSS suivant doit être placé à proximité de l'appareil et être toujours porté par le personnel :

- Gants résistants à la chaleur
- Masque facial résistant à la chaleur (par ex., en polycarbonate)
- Lunettes de protection
- Blouse de laboratoire

Stérilisation des liquides

Veillez noter que les liquides présents dans une charge ont une capacité thermique supérieure à la vapeur de la chambre. Leur température est donc toujours inférieure à celle de la chambre. Plus le liquide est visqueux ou volumineux, plus la probabilité que ce phénomène se produise est grande.

Par conséquent, lorsque la température de la chambre est inférieure à 100 °C, la température du liquide à l'intérieur de la charge peut être supérieure à celle-ci. Si l'autoclave est ouvert, le liquide à l'intérieur (à une température beaucoup plus importante) peut s'échapper de manière anarchique et salir la chambre interne ou (dans le pire des cas) éclabousser l'opérateur. Si le conteneur est fermé, il peut exploser.

Si vous stérilisez des liquides, sachez qu'il existe toujours une différence de température d'**au moins** 20 °C entre la température de la chambre et celle de la charge. L'appareil doit donc être ouvert à 50 °C.

Nous vous recommandons fortement de ne pas stériliser des liquides dans des conteneurs de plus de 2 litres.

Service technique

Ressources sur le Web

Visitez le site Web de VWR à l'adresse www.vwr.com pour :

- Coordonnées complètes du service technique.
- Accès au catalogue en ligne de VWR et à des informations sur les accessoires et produits connexes.
- Informations supplémentaires sur les produits et les offres spéciales.

Contactez-nous Pour plus d'informations ou une assistance technique, contactez votre représentant VWR local ou visitez le site www.vwr.com

Garantie

VWR International garantit ce produit pièces et main-d'œuvre pour une durée de deux (2) ans à compter de la date de livraison. En cas de vice, VWR pourra, à sa discrétion et à ses frais, réparer, remplacer ou rembourser au client le prix d'achat du produit, à condition qu'il lui soit retourné au cours de la période de garantie. Cette garantie n'est pas applicable si le dommage provient d'un accident, d'une utilisation abusive ou incorrecte, d'une mauvaise application ou de l'usure normale du produit. Cette garantie deviendrait non valide dans le cas où les services de maintenance et de vérification requis ne seraient pas exécutés conformément aux manuels et réglementations locales, sauf exception si le défaut du produit n'est pas imputable à cette non exécution.

Il est recommandé au client d'assurer les éléments retournés contre les risques éventuels d'endommagement ou de perte. Cette garantie se limite aux réparations susmentionnées. IL EST EXPRESSÉMENT CONVENU QUE LA PRÉSENTE GARANTIE SE SUBSTITUE À TOUTES LES GARANTIES DE CONFORMITÉ ET DE VALEUR MARCHANDE.

Conformité à la législation et aux réglementations locales

Le client est chargé de la demande et de l'obtention des approbations réglementaires et autres autorisations nécessaires à l'utilisation ou à l'exploitation du Produit dans l'environnement local. VWR ne saura être tenu responsable de toute omission ou non obtention des approbations ou autorisations requises, sauf exception si le refus est dû à un défaut du produit.

Elimination des déchets de cet équipement



Cet équipement est muni du symbole de la poubelle rayée, cela veut dire que cet équipement ne peut pas être éliminé comme les déchets résiduels. Au lieu de cela, vous êtes responsable d'éliminer l'équipement dûment en donnant celui-ci à une institution autorisée qui s'occupe de la collecte séparée et du recyclage de l'équipement. En outre, vous êtes responsable de décontaminer l'équipement en cas de pollution biologique, chimique ou radiologique afin de protéger les personnes qui sont chargés de l'élimination et du recyclage. Pour des informations supplémentaires par rapport au bureau où vous pouvez rendre votre équipement, veuillez vous adresser à votre commerçant qui vous a vendu l'équipement.

Si vous procédez comme décrit ci-dessus, vous contribuez au ménagement et à la préservation des ressources naturelles et assurez que votre équipement sera recyclé de manière appropriée.

Merci beaucoup!

Índice

Uso del manual	45
Información de seguridad	45
Precauciones durante la instalación	45
Descripción de la unidad	46
Suministro eléctrico	47
Antes de utilizar el instrumento por primera vez	47
Operaciones preliminares	48
Programación de la temperatura de esterilización	48
Programación del tiempo de esterilización	49
Ciclo de esterilización	49
Comandos del panel	49
Limpieza después del uso	50
Mantenimiento general	50
Sustitución de los elementos calefactores	52
Índice de presión/temperatura	53
Piezas de repuesto	53
Códigos del programador visual y descripción de los parámetros relacionados	54
Impresora-registrador (opcional)	54
Precauciones de seguridad	55
Asistencia técnica	56
Garantía	56
Eliminación	57

Uso del manual

La utilización de este manual le ayudará a usar este instrumento de forma eficiente. El manual debe mantenerse en un lugar apropiado, cerca del instrumento, para mayor comodidad.

Información de seguridad

- Utilice el dispositivo solo para los fines indicados.
 - El dispositivo debe estar correctamente instalado de acuerdo con estas instrucciones de uso antes de iniciar cualquier operación.
 - No desconecte nunca el dispositivo tirando del cable eléctrico para desconectar el enchufe.
 - Los cables eléctricos deben sustituirse inmediatamente cuando estén dañados.
 - Cuando retire el elemento conectado a una fuente de alimentación, preste atención al cable de conexión eléctrica.
 - Desconéctelo siempre de la fuente de alimentación cuando:
 - A. Repare o realice tareas de mantenimiento; estas operaciones solo debe realizarlas personal cualificado.
 - B. Limpie la unidad.
 - C. Utilice piezas de repuesto y accesorios originales para cualquier recambio.
- No utilice este dispositivo en presencia de gases explosivos.

Precauciones durante la instalación



Cuando la toma del sistema eléctrico no sea compatible con el dispositivo, sustitúyala siguiendo los siguientes códigos de colores de los cables.

Marrón: activo - Azul: neutro - Amarillo/verde: tierra



Compruebe que el voltaje y la frecuencia del sistema eléctrico son compatibles con el dispositivo.



El dispositivo debe conectarse a un cable de toma a tierra. Si tiene cualquier duda, póngase en contacto con un electricista cualificado. Antes de poner en marcha el dispositivo, asegúrese de que las rejillas de ventilación no presentan ninguna obstrucción.

Descripción de la unidad

El esterilizador a vapor 'VAPOUR-LINE *lite* II está formado por:

Manómetro

El manómetro registra la presión (PSI). La aguja se mueve por el dial e indica con precisión la presión de la unidad.

Adaptador de manómetro

El adaptador del manómetro conecta el manómetro a la tapa del recipiente.

Regulador de presión

El regulador de presión es una unidad sólida formada por una pieza. Las lecturas de presión precisas pueden controlarse y mantenerse ajustando la configuración del calor.

Válvula de escape

El regulador de presión se ajusta sobre la válvula de escape y permite liberar el exceso de presión.

Bloqueo de tapa/respiradero

El bloqueo de tapa/respiradero «descarga» o deja salir automáticamente el aire del recipiente y actúa como indicador visual del nivel de presión en la unidad.

Abrazadera de bloqueo

La abrazadera de bloqueo en el interior del cuerpo del recipiente se acopla al bloqueo de tapa/respiradero para evitar que la tapa se abra cuando hay presión en la unidad.

Anillo de sellado

El anillo de sellado se coloca en la tapa del recipiente y ofrece un sellado hermético entre la tapa y el cuerpo durante la esterilización.

Tapón de sobrepresión

El tapón de sobrepresión está situado en la tapa del recipiente. Salta automáticamente y libera vapor si la válvula de escape estuviera obstruida y la presión no pudiese liberarse de forma normal.

Cesta de carga LITEbox

Recipiente y tapa con dos asas periféricas

Dispositivo electrónico para termorregulación

Interruptor principal

Impresora opcional

Suministro eléctrico

220 - 240 V CA monofásica, 1300 W.

Esta unidad debe conectarse a tierra. Se suministra con un enchufe de alimentación con contactos de seguridad.

Si sustituye el enchufe de alimentación, el cable de alimentación (amarillo y verde) debe conectarse al borne de puesta a tierra en el nuevo enchufe.

Si utiliza una toma de alimentación sin puesta a tierra de protección, la unidad debe conectarse a una puesta a tierra segura.

Antes de utilizar el instrumento por primera vez

- 1) Retire el bloqueo de tapa/respiradero de la tapa del recipiente.

La parte de rosca del bloqueo de tapa/respiradero, dentro de la tapa, se desenrosca del eje.

- 2) Quite el anillo de sellado sacándolo de la ranura.

- 3) Lave la tapa y el cuerpo del recipiente con agua caliente y jabón. No sumerja la tapa en agua o deje que el manómetro entre en contacto con ningún tipo de líquido. El mecanismo interno del manómetro puede resultar dañado si se sumerge o se moja. Frote la ranura del anillo de sellado para quitar todos los aceites procedentes de la operación. Restriegue el interior del cuerpo y cúbralo con una solución de limpieza no alcalina para aluminio o utilice un estropajo de fibras de acero. Aclare con agua tibia y séquelo.

- 4) Vuelva a insertar el bloqueo de tapa/respiradero y asegúrese de que la pequeña junta está en su lugar.

- 5) Vuelva a colocar el anillo de sellado en su ranura.

El anillo de sellado está prelubricado, por tanto, no es necesario ponerle aceite. La aplicación frecuente de aceite puede hacer que el anillo de sellado se dilate.

- 6) Si resulta difícil abrir o cerrar la tapa, utilice un cepillo de pastelería, un paño o las puntas de los dedos para aplicar una fina capa de aceite a la parte inferior de los salientes del recipiente.

La tapa debería abrirse y cerrarse fácilmente.

Asegúrese de que la válvula de escape está abierta antes de usarla acercando la tapa a la luz y mirando a través de la válvula de escape. Si la válvula de escape está obstruida, el exceso de presión no podrá pasar a través de ella. La presión continuará aumentando hasta que salte el tapón de sobrepresión.

La presión se indica en el cuadrante del manómetro, que registra la presión dentro de la unidad en todo momento. La aguja se moverá por el cuadrante conforme aumente o disminuya la presión del recipiente. El regulador de una sola pieza está diseñado para saltar con una presión de 15 psi. No golpee el reborde del recipiente con ningún utensilio, ya que pueden producirse muescas que lo dañen y hacer que el vapor se escape. Si vierte agua en un recipiente seco y sobrecalentado,

el metal puede agrietarse. El recipiente ha sido diseñado para que la tapa tenga una única posición y gire solo en las direcciones indicadas para la apertura y el cierre. Presione hacia abajo las asas de la tapa para comprimir el anillo de sellado y facilitar el cierre de la tapa. La tapa tiene las palabras CLOSE/OPEN (Abrir/Cerrar) grabadas en su superficie, cerca del asa de la tapa. Alinee la «V» de la tapa con la marca en el asa del cuerpo para que se tape y se alinee correctamente. Gire la tapa en la dirección indicada para cerrar hasta que las asas de la tapa estén centradas directamente por encima de las asas del cuerpo.

No fuerce la tapa para que gire más allá del tope.

Cuando la tapa se ha girado y está en posición de cierre, el bloqueo de tapa/respiradero pasa por debajo de la abrazadera de bloqueo. Cuando las asas están alineadas, una sobre la otra, el regulador de presión se coloca sobre la válvula de escape y se aplica calor. La presión empezará a subir dentro del recipiente.

En este punto, el bloqueo de tapa/respiradero se eleva y bloquea la unidad. La tapa permanecerá bloqueada mientras exista presión en el recipiente. Cuando se reduce completamente la presión, el bloqueo de tapa/respiradero baja y permite que se abra la unidad.

Operaciones preliminares

- 1) Este esterilizador de vapor solo debe utilizarse con una presión máxima de 1,08 bares (121 °C).
- 2) El esterilizador de vapor debe colocarse en un área donde pueda eliminarse el vapor de forma adecuada.
- 3) Conecte el enchufe a la toma de alimentación.
- 4) Introduzca agua destilada o desmineralizada en la cámara de esterilización hasta que cubra el sistema calefactor. El uso de agua destilada evita la producción de depósitos calcáreos en el elemento calefactor. En 20 minutos de esterilización se consumirán aproximadamente 500 ml de agua.
- 5) Hay dos pantallas iluminadas en el panel de comandos de tiempo/temperatura.
- 6) Antes de la programación, es necesario borrar la protección de los parámetros (claves de seguridad), consulte el párrafo 16.

Configuración de la temperatura de esterilización

- 1) Pulse 'SET' (ESTABLECER) en la pantalla inferior hasta que aparezca Set.1
- 2) Utilice las flechas para aumentar o disminuir la temperatura. Si mantiene pulsado el botón, la temperatura aumentará o disminuirá rápidamente. Para un ajuste más preciso, pulse el botón una vez.
- 3) Pulse 'SET' (ESTABLECER) para guardar los ajustes en la memoria y repita el proceso para los parámetros de Set.2.

Configuración del tiempo de esterilización

- 1) Pulse 'SET' (ESTABLECER) hasta que aparezca MA.t en la pantalla inferior.
- 2) Seleccione el tiempo de esterilización utilizando las flechas. El tiempo de esterilización (en minutos) se mostrará en la pantalla superior.
- 3) Pulse 'SET' (ESTABLECER) para guardar los ajustes en la memoria.

Ciclo de esterilización

- 1) Pulse el botón 'SET' (ESTABLECER) durante 3 segundos para iniciar el ciclo. La temperatura real se mostrará en la pantalla superior (blanca), la temperatura establecida se mostrará en la pantalla inferior (roja)
- 2) Cuando se ha alcanzado la temperatura de esterilización, el tiempo que queda hasta alcanzar el final del ciclo aparece en la pantalla inferior.
- 3) El final del ciclo de esterilización se indica con una alarma acústica durante algunos segundos.
- 4) El ciclo se puede detener en cualquier momento con solo pulsar el botón SET (ESTABLECER) durante cinco segundos.
- 5) Cuando el recipiente termine de enfriarse, abra la tapa para sacar el material esterilizado.

Comandos del panel

SET	Para iniciar o detener el programa y cambiar los parámetros que desee establecer
▼▲	Para aumentar o disminuir el tiempo y la temperatura.
FNC	Para acceder al menú de servicio. Se requerirá una contraseña. Es para uso del personal de servicio

NOTAS:

Todas las operaciones de programación deben realizarse en secuencia rápida, ya que, de lo contrario, el dispositivo de programación vuelve a cero. El programa puede detenerse pulsando el botón 'SET' durante más de cinco segundos. Los únicos parámetros que deben seleccionarse son temperatura (SP1) y tiempo (t in 1 [t en 1]).

Los parámetros seleccionados se memorizan después incluso de apagar el instrumento.

Limpieza después del uso

- 1) La superficie exterior puede mantenerse brillante aplicando un buen limpiador para plata o simplemente lavándolo con agua y jabón. El hierro y varios minerales del agua pueden oscurecer el interior, pero esta decoloración no afectará a la esterilización. Estos tintes son inocuos y pueden retirarse utilizando una solución de agua y cremor tártaro. Por cada litro de agua, utilice una cucharada de cremor tártaro. Vierta una cantidad de solución suficiente en el recipiente para cubrir la decoloración (no lo llene más de 2/3); a continuación, cierre la tapa de forma segura. Coloque el regulador en la válvula de escape y caliente hasta que se obtenga una presión de 15 psi. Apague y deje reposar la unidad de dos a tres horas. Retire el regulador, abra y vacíe el contenido. Frote bien con un estropajo de fibras de acero; lave, aclare y seque.
- 2) Cada vez que lave el recipiente, retire el anillo de sellado, lávelo en agua tibia y jabón, aclárelo, séquelo y vuelva a colocarlo en la tapa.
- 3) El bloqueo de tapa/respiradero puede retirarse para realizar una limpieza ocasional o para sustituir la pequeña junta. Lave todas las piezas en agua tibia y jabón. Utilice un paño suave o un pequeño cepillo de nailon para limpiar el orificio de la tapa. La pequeña junta debe estar en su lugar cuando se vuelva a montar el bloqueo de tapa/respiradero.
- 4) El tapón de sobrepresión puede retirarse para su limpieza sacándolo de su orificio desde la parte inferior de la tapa. Tras la limpieza, vuelva a insertar el tapón empujando la parte redonda del tapón hacia el orificio desde la parte inferior de la tapa. Cuando el tapón de sobrepresión está instalado correctamente, la palabra (TOP [Parte superior]) será visible cuando se observe la parte exterior de la tapa. La parte dentada del tapón de sobrepresión es visible cuando se observa la parte inferior de la tapa. Si el tapón de sobrepresión se saca del orificio forzándolo por un exceso de presión durante la esterilización, es importante inspeccionar adecuadamente el recipiente antes de seguir utilizándolo. No intente volver a colocar el tapón de sobrepresión y pida ayuda al servicio de asistencia.
- 5) Asegúrese de que la válvula de escape está abierta antes de cada uso. Limpie la válvula de escape con un pequeño cepillo o con un limpiador de tuberías.
- 6) Cuando no esté utilizando la unidad, dé la vuelta a la tapa, colóquela sobre el cuerpo y guárdela en un lugar seco. Si guarda la unidad con la tapa colocada y cerrada, el anillo de sellado puede deformarse.

Mantenimiento general

- 1) PRECAUCIÓN: Para asegurarse de que el dispositivo funciona y rinde correctamente, sustituya el tapón de sobrepresión cada vez que sustituya el anillo de sellado, o antes si se endurece o se deforma. En todo caso, deberá sustituir el tapón de sobrepresión cada 2 años. Si no sigue estas instrucciones pueden producirse daños personales o materiales.
- 2) Si las asas del cuerpo o de la tapa se aflojan, apriételas con un desatornillador.

- 3) Si se producen fugas de vapor o humedad cuando esté utilizando la unidad, compruebe las siguientes posibles causas:
- La formación de una pequeña cantidad de humedad bajo el regulador de presión es normal cuando comienza el calentamiento por primera vez. Esta condensación se produce porque la temperatura del regulador de presión es inferior a la del resto del recipiente. Si continúa el exceso de condensación, puede soltarse la válvula de escape y debe fijarse con una llave regulable.
 - Las fugas entre la tapa y el cuerpo pueden deberse a una contracción del anillo de sellado después de un uso prolongado. Sustituya el anillo de sellado, el tapón de sobrepresión y el adaptador del manómetro.
 - Es normal que se produzca una pequeña fuga alrededor del bloqueo de tapa/respiradero cuando comienza la esterilización por primera vez. Si la fuga continúa, es posible que las asas de la tapa no estén completamente alineadas con las asas del cuerpo, lo que hace que el bloqueo de tapa no pueda acoplarse. Limpie el bloqueo de tapa/respiradero de vez en cuando para asegurarse de que funciona correctamente.
 - Una pequeña cantidad de vapor o de humedad puede ser visible alrededor del tapón de sobrepresión cuando comienza la esterilización. Esto se detendrá cuando cierre herméticamente el tapón de sobrepresión. Si sigue habiendo fugas, limpie o sustituya el tapón de sobrepresión.
- 4) Si el recipiente presurizado es difícil de abrir o de cerrar, y el anillo de sellado se ha expandido, sustituya el anillo de sellado.
- 5) **IMPORTANTE:** Con el tiempo, el anillo de sellado puede contraerse y el bloqueo de tapa/respiradero, la pequeña junta, el tapón de sobrepresión y el adaptador del manómetro pueden endurecerse y deformarse. Cuando esto ocurra, sustituya el anillo de sellado, la pequeña junta, el tapón de sobrepresión y el adaptador del manómetro. El anillo de sellado, el tapón de sobrepresión y el manómetro deben sustituirse al menos cada 2 años. Antes de insertar un nuevo anillo de sellado, limpie la ranura con un cepillo. Para garantizar el funcionamiento seguro de la unidad, es recomendable que el adaptador del manómetro y el botón de sobrepresión se sustituyan con el anillo de sellado.
- 6) **Técnica anticorrosión:** Cuando dos metales diferentes con distintas propiedades químicas entran en contacto a través de un electrolito, se establece un intercambio de electrones. Este proceso se conoce como corrosión galvánica, que inicia la oxidación del metal más débil. En una autoclave de aluminio, este efecto natural puede producir daños graves en el recipiente con el tiempo.

Para evitar esta corrosión, todos los autoclaves de aluminio están equipados con un dispositivo especial llamado cuerpo anódico (referencia 481-0721). Este dispositivo es un

pequeño disco fijado con un tornillo al cuerpo del recipiente y que está fabricado en un metal que se oxida más rápidamente que el aluminio. Esto significa que la corriente galvánica fluirá a través del cuerpo anódico, que se corroerá en lugar del recipiente de la autoclave. Si el cuerpo anódico está completamente gastado, el recipiente de la autoclave comenzará a corroerse. Por tanto, es esencial comprobar periódicamente el estado del cuerpo anódico y sustituirlo antes de que se desgaste completamente. Es recomendable solicitar varios cuerpos anódicos de repuesto para utilizar siempre la autoclave con un cuerpo anódico.

Sustitución de los elementos calefactores

Desconecte la alimentación, desatornille las dos tuercas de sujeción en el exterior de la parte inferior de la cámara de esterilización e inserte un nuevo elemento calefactor. Para volver a montarlo, repita los mismos pasos en orden inverso.

Asegúrese de que el nivel de agua en la cámara de esterilización cubra siempre el elemento calefactor.

Intervalos de temperatura/presión

Temperatura (°C)	100	102	105	109	112	115	119	120
Presión (PSI)	0	1,45	2,90	5,80	7,25	10,15	13,05	14,50

Piezas de repuesto



	Descripción	Referencia
1	Manómetro	481-0717
2	Elemento calefactor 200 V, 1300 W (110 V previa solicitud)	481-0777
3	Junta para cubierta	481-0719
4	Tapón de sobrepresión	481-0720
5	Interruptor principal	481-0779
6	Cuerpo anódico	481-0721
7	Regulador de presión	481-0722
8	Controlador para autoclave	481-0848
9	Impresora	481-0840
10	Botón de inicio negro	481-0839
	Papel de la impresora	481-0775

Configuración de la tecla de seguridad de parámetros

Los parámetros seleccionados protegerse para evitar modificaciones:

- Pulse 'ENTER' (Intro) varias veces hasta que la palabra 'nnn' se muestre en la pantalla.
- Seleccione un número diferente a 3 utilizando las teclas de flechas y pulse 'ENTER' (Intro).

Este número se solicitará cada vez que se cambie el parámetro establecido.

La protección de parámetros se desactiva de la siguiente forma:

- Pulse 'ENTER' (Intro) varias veces hasta que la palabra 'nnn' se muestre en la pantalla.
- Seleccione el número 3 utilizando las flechas y pulse 'ENTER' (Intro).

El programador ya no solicitará ninguna contraseña.

Impresora-registrador (opcional)

La autoclave se suministra con conexión a una impresora-registrador de temperatura.

Registros de la impresora:

- Fecha
- Número de lote
- Temperatura registrada durante el período de tiempo programado
- Número de esterilizaciones progresivas llevadas realizadas de forma automática

Date:	2004/01/01	(A)
Name:	_____	
Batch:	1	(B)
	96	10
(C)	99	10
	105	10
	110	10
	115	10
	117	10
	119	10
		(D)

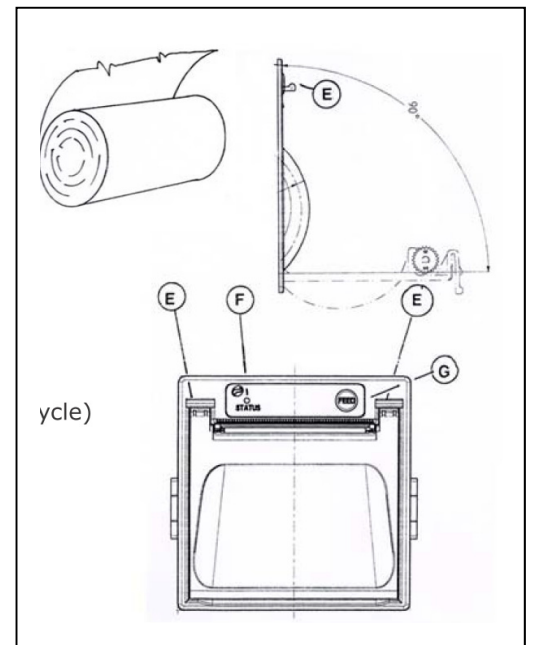
Cómo insertar el papel

Presionando los dos elevadores (E), abra el panel e inserte el papel como se muestra.

Si el papel está instalado correctamente, la luz LED 'pos F' se encenderá.

Un LED parpadeante indica que el papel no está instalado correctamente.

Si pulsa el botón G puede girar el rollo.



Precauciones de seguridad

Apertura y cierre

La autoclave tiene un bloque de seguridad cuando la tapa está abierta. Este bloque evita que la tapa caiga en las manos del operador. Asegúrese SIEMPRE de que el bloque funciona correctamente y de que hay espacio suficiente entre el instrumento y la pared de detrás para que la tapa pueda abrirse completamente y que el bloque se active.

Después de un ciclo, el instrumento solo debe abrirse cuando la temperatura es inferior a 70 °C y la presión interna es 0. Las autoclaves tienen dispositivos de seguridad para evitar aperturas accidentales. En este caso, NO FUERCE el instrumento para que se abra.

NO se recomienda abrir la autoclave cuando la alimentación está apagada.

Sistemas de seguridad personal (PSS)

Todos los dispositivos de seguridad de esta autoclave evitan la apertura accidental. Sin embargo, las cargas esterilizadas pueden sufrir un choque térmico durante un ciclo que puede causar roturas durante la apertura, aunque es raro que se produzca.

La siguiente indumentaria de trabajo PSS debe estar próxima al instrumento y el personal debe llevarla en todo momento:

- Guantes resistentes al calor
- Máscara facial resistente al calor (p. ej. fabricada en policarbonato)
- Gafas protectoras
- Bata de laboratorio

Esterilización de líquidos

Tenga en cuenta que los líquidos de una carga tienen una capacidad térmica superior al vapor de la cámara. Por esta razón, siempre están «un paso por detrás» de la temperatura medida en la cámara. Cuanto más viscoso o voluminoso sea el líquido, con más frecuencia puede producirse este fenómeno.

Por tanto, cuando la temperatura de la cámara es inferior a 100 °C, el líquido del interior de la carga puede estar a una temperatura superior. Como consecuencia, si se abre la autoclave, el líquido que hay en el interior (que está a una temperatura mucho mayor) puede salir de forma turbulenta y ensuciar la cámara interna o (en el peor de los casos) salpicar al operador. Si el contenedor está cerrado, puede explotar.

Si está esterilizando líquidos, calcule siempre **al menos** una diferencia de 20 °C entre cámara y temperatura y temperatura de carga. El instrumento debe abrirse por tanto a 50 °C.

Recomendamos encarecidamente que no esterilice líquidos en contenedores que superen los 2 litros.

Servicio técnico

Recursos en Internet

Visite la página de VWR en www.vwr.com para:

- Obtener los contactos del servicio técnico
- Acceder al Catálogo en línea de VWR y obtener información acerca de accesorios y productos relacionados
- Información adicional sobre productos y ofertas especiales

Contacto Para obtener más información o asistencia técnica póngase en contacto con su representante local de VWR o visite. www.vwr.com

Garantía

VWR International garantiza que este producto estará libre de defectos de material y fabricación durante un periodo de dos (2) años a partir de la fecha de entrega. En el caso de que exista algún defecto, VWR elegirá, a su elección y corriendo con los gastos, reparar, cambiar o reembolsar el importe de este producto al cliente, siempre y cuando se devuelva durante el periodo de la garantía. Esta garantía no se aplica si el producto ha sufrido daños a causa de un accidente, abuso, uso indebido o incorrecto o del desgaste por el uso normal. Si los servicios de inspección y mantenimiento precisos no se efectúan de acuerdo con las indicaciones de los manuales o las normativas locales aplicables, la garantía no será válida, salvo si el defecto del producto no se debe a dicho incumplimiento.

El cliente debe asegurar los productos devueltos contra posibles daños o pérdida. Esta garantía se limita a los recursos anteriormente mencionados. SE ACUERDA EXPRESAMENTE QUE ESTA GARANTÍA SUSTITUYE A TODAS LAS GARANTÍAS DE IDONEIDAD Y COMERCIALIDAD.

Cumplimiento de leyes y normativas locales

El cliente tiene la responsabilidad de solicitar y conseguir las autorizaciones reglamentarias necesarias o cualquier otro tipo de autorización necesaria para utilizar el producto en su entorno local. VWR no se responsabiliza de cualquier omisión relacionada o de la no obtención de la autorización necesaria, a menos que la desestimación se deba a un defecto del producto.

Eliminación del equipo



Este equipo se halla identificado con el símbolo de un cubo de basura tachado, lo que significa que no debe eliminarse en los desechos residuales habituales. En lugar de ello, usted es responsable de eliminar el equipo de forma adecuada al finalizar su vida útil, llevándolo a un centro autorizado que lo recoja y proceda a su reciclaje. Usted también es responsable de descontaminar el equipo si contiene impurezas biológicas, químicas o radiológicas, para evitar riesgos en la salud de las personas encargadas de la eliminación y el reciclaje. Cualquier información adicional que necesite sobre el lugar de entrega de su equipo podrá solicitarla al distribuidor donde realizó originalmente la compra.

Si procede como se describe arriba, ayudará a proteger los recursos naturales y técnicos del medio ambiente y garantizará que su equipo se recicle de modo que se proteja la salud de las personas.

Muchas gracias

Sommario

Uso del manuale	59
Informazioni di sicurezza	59
Precauzioni per l'installazione	59
Descrizione dello strumento	60
Allacciamenti elettrici	61
Note per il primo utilizzo	61
Operazioni preliminari	62
Programmazione della temperatura di sterilizzazione	62
Programmazione del tempo di sterilizzazione	63
Ciclo di sterilizzazione	63
Pannello comandi	63
Pulizia dopo l'utilizzo	64
Manutenzione	64
Sostituzione resistenza	66
Rapporto temperatura/pressione	66
Parti di ricambio	67
Impostazione del codice di sicurezza	67
Registratore con stampante (opzionale)	68
Precauzioni di sicurezza	69
Assistenza tecnica	70
Garanzia	70
Smaltimento	71

Uso del manuale

Nel presente manuale sono contenute informazioni per il corretto utilizzo dello strumento. Tenere il manuale vicino allo strumento per averlo sempre a portata di mano.

Informazioni di sicurezza

- Utilizzare lo strumento solo per gli scopi indicati
 - Prima di essere messo in funzione, lo strumento deve essere installato correttamente, in conformità alle istruzioni qui riportate
 - Non scollegare mai il dispositivo tirando il cavo elettrico dalla presa; afferrare sempre la spina ed estrarla dalla presa
 - Se danneggiati, sostituire tempestivamente i cavi elettrici
 - Quando si scollega lo strumento dall'alimentazione, prestare attenzione al cavo di collegamento elettrico
 - Scollegare sempre dall'alimentazione per:
 - A. Riparare o eseguire le operazioni di manutenzione (queste attività devono essere eseguite esclusivamente da personale qualificato)
 - B. Pulire l'unità
 - C. In caso di sostituzioni, utilizzare pezzi di ricambio e accessori originali
- Non utilizzare il dispositivo in presenza di gas esplosivi.

Precauzioni durante l'installazione



Se la presa elettrica dell'impianto non è compatibile con lo strumento sostituirla prestando attenzione alla seguente codice-colore dei cavi.

Marrone: fase - Blu: neutro - Giallo/verde: terra



Verificare che il voltaggio e la frequenza dell'impianto elettrico in uso siano compatibili con lo strumento.



Lo strumento deve essere collegato ad una presa di terra. Per qualsiasi domanda contattare un elettricista qualificato. Prima di avviare lo strumento, verificare che le griglie di ventilazione siano completamente libere da ostruzioni.

Descrizione dell'unità

L'autoclave VAPOUR-LINE *lite* II è costituita dai seguenti componenti:

Manometro

Il manometro registra la pressione (PSI). L'ago gira all'interno del quadrante, indicando con precisione la pressione all'interno dell'unità.

Adattatore del manometro

L'adattatore collega il manometro al coperchio dell'autoclave

Regolatore di pressione

Il regolatore di pressione è un componente singolo. Il controllo accurato della pressione avviene tramite il controllo del riscaldamento.

Tubo di sfiato dell'aria

Il regolatore di pressione è montato sopra il tubo di sfiato e consente di rilasciare la pressione in eccesso.

Sistema di bloccaggio del coperchio

Il sistema di bloccaggio del coperchio si solleva quando si genera pressione all'interno della camera, fornendo un'indicazione visiva della pressione.

Staffa di bloccaggio

La staffa di bloccaggio all'interno del corpo del recipiente si aggancia al sistema di bloccaggio coperchio per impedire l'apertura del coperchio quando la camera è in pressione.

Guarnizione

La guarnizione è montata sul coperchio e garantisce una tenuta ermetica tra il coperchio e il corpo dell'autoclave durante la sterilizzazione.

Tappo di protezione da sovrappressione

Il tappo di protezione da sovrappressione si trova sul coperchio. In caso di ostruzioni nel tubo di sfiato, che impedirebbero il normale rilascio della pressione, il tappo si apre automaticamente per consentire la fuoriuscita del vapore.

Cestello di caricamento LITEbox

Recipiente e coperchio con due manici laterali

Termoregolatore elettronico

Interruttore principale

Stampante opzionale

Alimentazione elettrica

220 - 240 V - CA monofase, 1300 W.

L'unità deve essere collegata a terra e viene consegnata con una spina elettrica con contatti di sicurezza.

In caso di sostituzione della spina elettrica, il cavo di alimentazione di rete (verde e giallo) deve essere collegato a un morsetto di terra nella nuova spina.

Se si utilizza un impianto senza messa a terra, l'unità deve essere collegata a una terra sicura.

Note per il primo utilizzo

- 1) Rimuovere il sistema di bloccaggio coperchio dal coperchio del recipiente.
La parte a cupola del blocco, all'interno del coperchio, si svita dal perno.
- 2) Rimuovere la guarnizione dalla scanalatura in cui è inserita.
- 3) Lavare il coperchio e il corpo con acqua calda e sapone. Non immergere il coperchio in acqua né far entrare in contatto il manometro con alcun liquido. Il meccanismo interno del manometro potrebbe subire danni se immerso o bagnato con acqua. Strofinare la scanalatura della guarnizione per rimuovere le tracce di olio residue dalla fase di produzione. Strofinare l'interno del corpo del cilindro e il coperchio con detergente per alluminio non alcalino o con una paglietta d'acciaio. Sciacquare con acqua calda e asciugare.
- 4) Reinscrivere il sistema di bloccaggio del coperchio verificando che la piccola guarnizione sia in posizione.
- 5) Riposizionare la guarnizione nell'apposita scanalatura.
La guarnizione è prelubrificata: non applicare olio. La lubrificazione frequente ne causa la deformazione.
- 6) In caso di apertura o chiusura difficile del coperchio, applicare un leggero strato di olio sul lato inferiore delle alette sul corpo del recipiente utilizzando un pennello da cucina, un panno o le dita. Il coperchio deve aprirsi e chiudersi agevolmente.

Prima di ogni utilizzo, verificare che il tubo di sfiato sia libero sollevando il coperchio. Se il tubo di sfiato è ostruito, la pressione in eccesso non viene scaricata e continua ad aumentare fino a far aprire il tappo di protezione da sovrappressione sul coperchio.

La pressione viene indicata sul manometro, che indica costantemente la pressione all'interno dell'unità. L'ago gira all'interno del quadrante con l'aumentare o il diminuire della pressione all'interno del recipiente. Il regolatore è progettato per oscillare ad una pressione di 15 psi.

Non colpire il bordo del corpo del recipiente con alcun utensile per non causare intaccature che danneggerebbero il bordo e consentirebbero la fuoriuscita di vapore. L'immissione di acqua in un recipiente surriscaldato può causare incrinature del metallo. Il recipiente è stato ideato in modo da poter posizionare il coperchio in un solo modo e che possa ruotare solo nelle direzioni indicate per

la chiusura e l'apertura. Spingere sui manici del coperchio per comprimere l'anello di tenuta e chiudere più agevolmente il coperchio. Sul coperchio, vicino a un manico, è presente la dicitura "CLOSE/OPEN" (Chiudi/Apri). Allineare la "V" sul coperchio con il contrassegno sul manico del corpo per posizionare correttamente il coperchio e il corpo. Girare il coperchio nella direzione indicata per la chiusura fino a centrare i manici del coperchio direttamente sopra i manici del corpo.

Non girare il coperchio oltrepassando questo punto.

Quando il coperchio viene girato in posizione di chiusura, il sistema di bloccaggio del coperchio passa sotto la staffa di fissaggio. Quando i manici sono allineati uno sopra l'altro, il regolatore di pressione viene posizionato sul tubo di sfiato; quando si avvia il riscaldamento, la pressione inizia ad aumentare all'interno del recipiente.

A questo punto, il sistema di bloccaggio del coperchio si solleva e blocca l'unità. Il coperchio resta bloccato fino a quando il recipiente è pressurizzato. Quando la pressione viene completamente eliminata, il sistema di bloccaggio del coperchio si abbassa, consentendo l'apertura dell'unità.

Operazioni preliminari

- 1) Lo sterilizzatore a vapore deve essere utilizzato solo a una pressione massima di 1,08 bar (121 °C).
- 2) Lo sterilizzatore a vapore deve essere posizionato in un'area che permetta lo smaltimento del vapore.
- 3) Collegare la spina all'alimentazione di rete.
- 4) Introdurre acqua distillata o demineralizzata nella camera di sterilizzazione fino a coprire l'elemento riscaldante. L'uso di acqua distillata impedisce la formazione di depositi calcarei sull'elemento riscaldante. Per 20 minuti di sterilizzazione sono richiesti circa 500 ml di acqua.
- 5) Due display sul pannello comandi indicano il tempo e la temperatura.
- 6) Prima della ri-programmazione, inserire la protezione dei parametri (codici di sicurezza); vedere il paragrafo 16.

Programmazione della temperatura di sterilizzazione

- 1) Premere "SET" sul display inferiore finché non viene visualizzato Set.1.
- 2) Aumentare o diminuire il valore di temperatura utilizzando le frecce. Tenendo premuto il pulsante, il valore di temperatura aumenta o diminuisce rapidamente. Per la regolazione di precisione, premere il pulsante una volta.
- 3) Premere "SET" per memorizzare l'impostazione e ripetere la stessa procedura per i parametri Set.2.

IMPORTANTE. I VALORI DEI PARAMETRI Set.1 E Set.2 DEVONO COINCIDERE

Impostazione del tempo di sterilizzazione

- 1) Premere "SET" finché sul display inferiore non viene visualizzato MA.t.
- 2) Selezionare il tempo di sterilizzazione utilizzando le frecce. Il tempo di sterilizzazione (in minuti) viene visualizzato sul display superiore.
- 3) Premere "SET" per memorizzare l'impostazione

Ciclo di sterilizzazione

- 1) Premere il pulsante "SET" per 3 secondi per avviare il ciclo. La temperatura effettiva viene visualizzata sul display superiore (bianco), la temperatura impostata viene visualizzata sul display inferiore (rosso).
- 2) Una volta raggiunta la temperatura di sterilizzazione, il tempo rimanente alla fine del ciclo viene visualizzato sul display inferiore.
- 3) La fine del ciclo di sterilizzazione viene segnalata con l'emissione di un allarme acustico per alcuni secondi.
- 4) Il ciclo può essere interrotto in qualsiasi momento, semplicemente premendo il pulsante "SET" per 5 secondi.
- 5) Al termine del raffreddamento del recipiente, aprire il coperchio per estrarre il materiale sterilizzato.

Pannello comandi

SET	Per avviare/arrestare il programma e modificare i parametri da impostare
▼▲	Per aumentare/diminuire i valori di tempo e temperatura
FNC	Per accedere al menu di manutenzione. Verrà richiesta una password. Per l'uso da parte del personale dell'assistenza.

NOTE:

Tutte le operazioni di programmazione devono essere eseguite in rapida sequenza, in caso contrario il dispositivo di programmazione si azzerà. È possibile arrestare il programma tenendo premuto il pulsante "SET" per più di cinque secondi. Gli unici parametri da selezionare sono la temperatura (SP1) e il tempo (t in 1).

I parametri selezionati restano memorizzati anche dopo lo spegnimento dello strumento.

Pulizia dopo l'utilizzo

- 1) La superficie esterna può essere mantenuta pulita e brillante pulendo con un lucido per argento di buona qualità o lavandola semplicemente con acqua e sapone. Il ferro e altri metalli in acqua possono scurire: tale alterazione del colore non compromette la sterilizzazione. Queste macchie non sono pericolose e possono essere eliminate utilizzando una soluzione di acqua e potassio tartrato. Per un quarto di acqua, utilizzare un cucchiaino di prodotto. Versare una quantità sufficiente di soluzione nel recipiente per coprire le parti scurite (non riempire oltre 2/3), quindi chiudere saldamente il coperchio. Posizionare il regolatore sul tubo di sfiato e riscaldare fino a raggiungere una pressione di 15 PSI. Spegnerne e lasciare così l'unità per due o tre ore. Rimuovere il regolatore di pressione, aprire e svuotare il recipiente. Strofinare interamente con una paglietta d'acciaio impregnata di sapone, quindi lavare, sciacquare e asciugare.
- 2) A ogni lavaggio del recipiente, rimuovere la guarnizione e lavarla in acqua calda e sapone, sciacquare, asciugare e riposizionarla nel coperchio.
- 3) Il sistema di bloccaggio del coperchio può essere rimosso per la pulizia saltuaria o per la sostituzione della guarnizione piccola. Lavare tutte le parti in acqua calda e sapone. Utilizzare un panno morbido o una piccola spazzola in nylon per pulire il foro del coperchio. La guarnizione piccola deve essere in posizione al rimontaggio del blocco del coperchio.
- 4) Il tappo di protezione da sovrappressione può essere rimosso per la pulizia estraendolo dalla sua posizione tirandolo dalla parte interna del coperchio. Dopo la pulizia, reinserire il tappo premendo il lato rotondo del tappo nell'apertura dalla parte inferiore del coperchio. Quando il tappo di protezione da sovrappressione è correttamente installato, è visibile la dicitura (TOP) guardando l'esterno del coperchio. La parte dentellata del tappo di protezione da sovrappressione è visibile osservando la parte inferiore del coperchio. Se il tappo di protezione da sovrappressione viene espulso dall'apertura del coperchio a causa di una pressione eccessiva durante la sterilizzazione, ispezionare adeguatamente il recipiente prima di ulteriori utilizzi. Non tentare di sostituire il tappo di protezione da sovrappressione e contattare l'assistenza.
- 5) Prima di ciascun utilizzo, verificare che il tubo di sfiato sia libero da ostruzioni. Pulire il tubo di sfiato con una piccola spazzola o uno scovolino.
- 6) Quando lo strumento non viene utilizzato, capovolgere il coperchio sul corpo e riporre in luogo asciutto. Il coperchio bloccato sull'unità potrebbe deformare l'anello di tenuta.

Manutenzione generica

- 1) **ATTENZIONE:** per garantire un funzionamento sicuro e prestazioni soddisfacenti, sostituire il tappo di protezione da sovrappressione a ogni sostituzione dell'anello di tenuta o prima in caso di irrigidimento o deformazione. In ogni caso, sostituire il tappo di protezione da sovrappressione ogni 2 anni. Il mancato rispetto di tali istruzioni può causare danni a persone o cose.

- 2) Se le maniglie del corpo o del coperchio si allentano, stringerle con un cacciavite.
- 3) In caso di perdite di vapore durante il funzionamento, verificare se sono presenti le possibili cause indicate di seguito:
 - La formazione di una condensa di vapore sotto il regolatore di pressione è normale all'inizio del processo di riscaldamento. Questa condensa si forma poiché la temperatura del regolatore di pressione è inferiore rispetto al resto del recipiente. Se la formazione di una quantità eccessiva di condensa persiste, il tubo di sfiato potrebbe essere allentato e deve essere serrato con una chiave.
 - Le perdite tra il coperchio e il corpo sono causate generalmente dal ritiro della guarnizione dopo uso prolungato. Sostituire la guarnizione, il tappo di protezione da sovrappressione e l'adattatore del manometro.
 - Una quantità ridotta di perdite intorno al sistema di bloccaggio del coperchio è normale nella fase di riscaldamento. Se la presenza di perdite persiste, i manici del coperchio potrebbero essere non completamente allineati con quelli del corpo e, di conseguenza, il blocco del coperchio non si innesta. Pulire il sistema di bloccaggio del coperchio per garantirne il corretto funzionamento.
 - All'inizio della sterilizzazione, intorno al tappo di protezione da sovrappressione potrebbe essere visibile una quantità ridotta di vapore. Ciò termina quando il tappo di protezione da sovrappressione si chiude in modo ermetico. Se la perdita persiste, pulire o sostituire il tappo di protezione da sovrappressione.
- 4) Se il recipiente a pressione diventa difficile da aprire o chiudere e la guarnizione si è dilatata, sostituire la guarnizione.
- 5) **IMPORTANTE:** nel corso del tempo, la guarnizione potrebbe ritirarsi e il sistema di bloccaggio, la guarnizione piccola, il tappo di protezione da sovratemperatura e l'adattatore del manometro potrebbero irrigidirsi o deformarsi. In tal caso, sostituire la guarnizione del coperchio, la guarnizione piccola, il tappo di protezione da sovrappressione e l'adattatore del manometro. La guarnizione, il tappo di protezione da sovrappressione e l'adattatore del manometro devono essere sostituiti almeno ogni 2 anni.

Prima di inserire una nuova guarnizione, pulire la scanalatura con una spazzola. Per garantire il funzionamento sicuro dell'unità, si consiglia di sostituire l'adattatore del manometro e il tappo di protezione da sovrappressione a ogni sostituzione della guarnizione.
- 6) Tecniche anticorrosione: quando due diversi metalli, con diverse proprietà chimiche, entrano in contatto, si ha uno scambio elettrolitico. Questo processo è noto come corrosione galvanica, che determina l'ossidazione del metallo più debole. In un'autoclave di alluminio, questo effetto naturale può danneggiare seriamente il recipiente.

Per prevenire la corrosione, tutte le autoclavi in alluminio sono dotate di un dispositivo speciale

detto "Corpo Sacrificale" (Cod. prod. 481-0721). Questo dispositivo è un piccolo disco fissato con una vite nel corpo del recipiente ed è realizzato in un metallo più facilmente ossidabile dell'alluminio. Ciò significa che la corrente galvanica attraversa questo dispositivo, che si corrode al posto del recipiente dell'autoclave. In caso di usura completa del dispositivo, inizia a corrodersi il recipiente dell'autoclave, è quindi obbligatorio controllare periodicamente lo stato del dispositivo e sostituirlo prima che si usuri. Si consiglia di ordinare alcuni corpi sacrificali di ricambio per poter utilizzare sempre l'autoclave con il dispositivo installato.

Sostituzione dell'elemento riscaldante

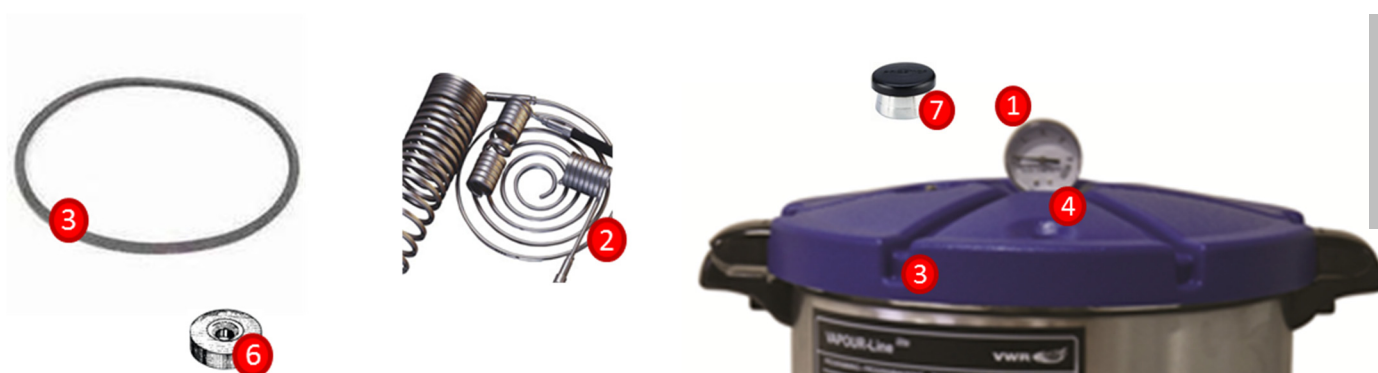
Scollegare l'alimentazione elettrica, svitare i due dadi di fissaggio sul fondo della camera di sterilizzazione e inserire la nuova resistenza. Per il rimontaggio, ripetere gli stessi passaggi invertendone l'ordine.

Verificare che il livello di acqua nella camera di sterilizzazione copra sempre l'elemento riscaldante.

Tabella temperatura/pressione

Temperatura (°C)	100	102	105	109	112	115	119	120
Pressione (PSI)	0	1,45	2,90	5,80	7,25	10,15	13,05	14,50

Parti di ricambio



	Descrizione	Codice prodotto
1	Manometro	481-0717
2	Resistenza da 200 V, 1300 W (110 V su richiesta)	481-0777
3	Guarnizione coperchio	481-0719
4	Tappo di protezione da sovrappressione	481-0720
5	Interruttore principale	481-0779
6	Corpo sacrificale	481-0721
7	Regolatore di pressione	481-0722
8	Controller per autoclave	481-0848
9	Stampante	481-0840
10	Tasto di avvio nero	481-0839
	Carta della stampante	481-0775



Impostazione del codice di sicurezza per i parametri

Per evitare manomissioni, i parametri selezionati devono essere protetti:

- Premere ripetutamente "ENTER" (INVIO) fino a visualizzare "nnn" sul display
- Selezionare un numero diverso da 3 utilizzando i tasti freccia e premere "ENTER" (INVIO)

Ogni volta che il parametro viene modificato, viene richiesto questo numero.

La protezione dei parametri viene eliminata come indicato di seguito:

- Premere ripetutamente il pulsante "ENTER" (INVIO) fino a visualizzare "nnn" sul display
- Selezionare il numero 3 utilizzando le frecce e premere "ENTER" (INVIO)

Il dispositivo di programmazione non richiederà più la password.

Registratore con stampante (opzionale)

L'autoclave è predisposta per l'installazione di un registratore di temperatura a carta (stampante).

La stampante registra i seguenti dati:

- Data
- Numero del lotto
- Temperatura registrata durante l'intervallo di tempo programmato
- Numero progressivo di sterilizzazioni eseguite automaticamente

Date:	2004/01/01		
Name:			
Batch:	1		
	96	10	
	99	10	
	105	10	
	110	10	
	115	10	
	117	10	
	119	10	

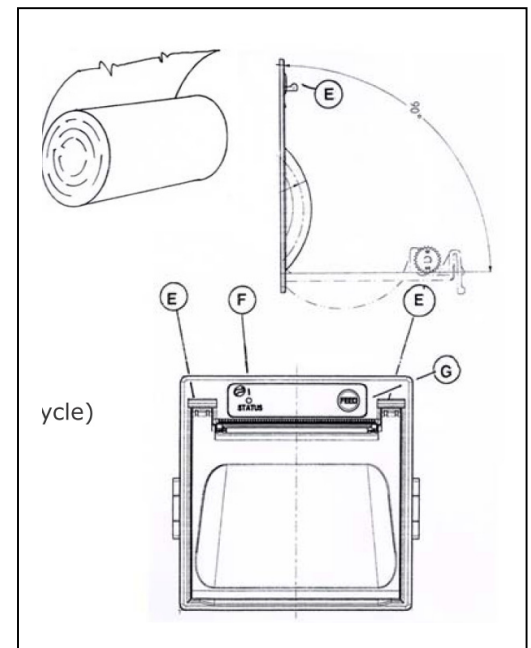
Inserimento della carta

Premere le due leve (E), aprire il pannello e inserire la carta come mostrato.

Se la carta è stata inserita correttamente, si accende il LED "pos F".

Un LED lampeggiante indica che la carta non è stata inserita correttamente.

È possibile far scorrere la carta premendo il pulsante G.



Precauzioni di sicurezza

Apertura e chiusura

L'autoclave è dotata di un dispositivo di blocco di sicurezza quando il coperchio è aperto. Tale blocco impedisce la chiusura del coperchio sulle mani dell'operatore. Verificare SEMPRE che il blocco funzioni correttamente e che sia presente uno spazio sufficiente tra lo strumento e la parete dietro di esso, per poter aprire completamente il coperchio e attivare il blocco.

Dopo un ciclo, lo strumento deve essere aperto solo quando la temperatura è inferiore a 70 °C e in assenza di pressione interna. Le autoclavi sono dotate di dispositivi di sicurezza per impedirne l'apertura accidentale. In tal caso, **NON FORZARE** lo strumento per aprirlo. Si **SCONSIGLIA** di aprire l'autoclave quando spenta.

Dispositivi di protezione individuale (DPI)

Tutti i dispositivi di sicurezza presenti nell'autoclave ne prevengono l'apertura accidentale. Tuttavia, i materiali sterilizzati possono subire sbalzi termici durante un ciclo e rompersi all'apertura, anche se in casi estremamente rari.

I seguenti indumenti DPI devono essere riposti vicino allo strumento e devono essere sempre indossati dal personale:

- Guanti termoresistenti
- Maschera facciale termoresistente (ad esempio in policarbonato)
- Occhiali protettivi
- Camice da laboratorio

Sterilizzazione di liquidi

Tenere a mente che i liquidi hanno una capacità termica superiore rispetto al vapore presente nella camera. Per tale motivo sono sempre a una temperatura superiore rispetto alla temperatura misurata nella camera. Più il liquido è viscoso o in grande quantità, maggiore è la probabilità che si verifichi tale fenomeno.

Quindi, quando la camera è a una temperatura inferiore a 100 °C, il liquido all'interno potrebbe essere a una temperatura superiore. Di conseguenza, se l'autoclave è aperta, il liquido all'interno (che è a una temperatura molto superiore) potrebbe fuoriuscire in modo violento e sporcare la camera interna o, nel peggiore dei casi, schizzare sull'operatore. Se il contenitore è chiuso, potrebbe esplodere.

In caso di sterilizzazione di liquidi, considerare sempre una differenza di **almeno** 20 °C tra la temperatura della camera e quella del liquido. Lo strumento deve essere aperto quindi a 50 °C.

Si consiglia fortemente di non sterilizzare liquidi in contenitori di capacità maggiore di 2 litri.

Assistenza tecnica

Risorse sul web

Visitare il sito web VWR all'indirizzo www.vwr.com per:

- Informazioni complete sui contatti dell'Assistenza tecnica
- Accesso al catalogo on-line VWR e ad ogni altra informazione relativa agli accessori e ai prodotti collegati
- Ulteriori informazioni sui prodotti e sulle promozioni

Contatti Per informazioni o assistenza tecnica, contattare i nostri uffici VWR o visitare il sito.

www.vwr.com

Garanzia

VWR International garantisce per questo prodotto l'assenza da difetti nei materiali e di fabbricazione per un periodo di due (2) anni dalla data di consegna. In caso contrario, VWR provvederà, a sua discrezione e a proprie spese, alla riparazione, sostituzione o al rimborso del prezzo di acquisto del prodotto al cliente, purché venga restituito durante il periodo di garanzia. La presente garanzia non copre eventuali danni accidentali o causati da abuso, uso o applicazione impropri o dal normale logorio dell'apparecchio. Qualora i servizi di ispezione e manutenzione necessari non vengano eseguiti secondo i manuali e le eventuali normative locali, tale garanzia risulta non valida, salvo nella misura in cui il difetto del prodotto non sia causato dalla mancata prestazione dei suddetti servizi.

Il cliente dovrà assicurare le parti da restituire contro eventuali danni o perdite. La presente garanzia è limitata ai suddetti rimedi. **SI CONCORDA ESPRESSAMENTE CHE LA PRESENTE GARANZIA SOSTITUISCE TUTTE LE GARANZIE DI IDONEITÀ E LA GARANZIA DI COMMERCIALIZZABILITÀ.**

Conformità a leggi e normative locali

Il cliente è responsabile della richiesta e dell'ottenimento delle approvazioni normative necessarie o di altre autorizzazioni necessarie per eseguire o utilizzare il prodotto nel suo ambiente locale. VWR non sarà ritenuta responsabile delle relative omissioni o del mancato ottenimento dell'approvazione o autorizzazione necessaria, a meno che l'eventuale rifiuto non sia dovuto a un difetto del prodotto.

Smaltimento dell'apparecchio



Questo apparecchio è provvisto del simbolo del cassonetto barrato, il che significa che il prodotto non può essere smaltito con i rifiuti non riciclabili. Avete invece la responsabilità di smaltire regolarmente il prodotto al termine della vita in servizio, consegnandolo ad un servizio autorizzato che lo raccolga separatamente e lo avvii al riciclaggio. Siete inoltre responsabili della decontaminazione dell'apparecchio in caso di inquinamento biologico, chimico o radiologico, per non danneggiare la salute delle persone incaricate dello smaltimento e del riciclaggio. Potete richiedere ulteriori informazioni riguardo al punto dove potete consegnare l'apparecchio dal rivenditore locale presso il quale avete originariamente acquistato il prodotto.

Se procederete come descritto sopra, contribuirete a preservare le risorse naturali, ambientali e tecniche ed assicurare il riciclaggio del vostro strumento proteggendo la salute degli esseri umani.

Molte grazie!

Índice

Utilização do manual	73
Informações de segurança	73
Precauções durante a instalação	73
Descrição da unidade	74
Alimentação elétrica	75
Antes de utilizar pela primeira vez	75
Operações preliminares	76
Programação da temperatura de esterilização	76
Programação do tempo de esterilização	77
Ciclo de esterilização	77
Comandos no painel	77
Limpeza após utilização	78
Manutenção geral	78
Substituição do elemento de aquecimento	80
Taxa de temperatura/pressão	80
Peças sobressalentes	81
Definir a chave de segurança dos parâmetros	81
Impressora (opcional)	82
Precauções de segurança	83
Assistência técnica	84
Garantia	84
Eliminação	85

Utilização do manual

A utilização do presente manual ajudá-lo-á a utilizar o instrumento de modo eficiente. O manual deve ser mantido num local prático, junto do instrumento, para facilitar a utilização.

Informações de segurança

- Utilize o dispositivo apenas para os fins indicados
- O dispositivo deve ser instalado corretamente, de acordo com as presentes instruções, antes de dar início a qualquer operação
- Nunca desligue o dispositivo puxando o cabo elétrico da tomada
- Os cabos elétricos devem ser substituídos de imediato quando estiverem danificados
- Quando remover o artigo ligado à fonte de alimentação, tenha atenção ao cabo de ligação elétrica
- Desligue sempre da fonte de alimentação quando:
 - A. Efetuar tarefas de reparação ou manutenção, as quais deverão ser realizadas apenas por pessoal qualificado
 - B. Limpar a unidade
 - C. Em todas as tarefas de substituição de peças, utilize peças e acessórios sobressalentes originais

Não utilize este dispositivo na presença de gases explosivos.

Precauções durante a instalação



Quando a tomada do sistema elétrico não for compatível com a ficha do dispositivo, substitua-a tendo em atenção as seguintes cores de codificação do cabo.

Castanho: Com tensão - Azul: Neutro - Amarelo/verde: Terra



Certifique-se de que a tensão e a frequência do sistema elétrico utilizado são compatíveis com o dispositivo.



O dispositivo deve ser ligado a um fio de terra. Em caso de dúvida, contacte um electricista qualificado. Antes de ligar o dispositivo, certifique-se de que as grelhas de ventilação não estão obstruídas.

Descrição da unidade

O esterilizador a vapor "VAPOUR-LINE *lite* II é constituído por:

Manómetro de pressão

O manómetro de pressão regista a pressão (PSI). O ponteiro desloca-se num mostrador que indica com precisão a pressão dentro da unidade.

Adaptador do manómetro de pressão

O adaptador do manómetro de pressão liga o manómetro de pressão à tampa do recipiente.

Regulador da pressão

O regulador de pressão é uma peça inteiriça. É possível controlar e manter leituras de pressão precisas através do ajuste das definições de calor.

Tubo de ventilação de ar

O regulador de pressão encaixa por cima do tubo de ventilação e permite libertar o excesso de pressão.

Bloqueio da tampa da ventilação de ar

A tampa da ventilação de ar bloqueia automaticamente as ventilações ou saídas de ar do recipiente e atua como indicação visual da existência de pressão na unidade.

Suporte de bloqueio

O suporte de bloqueio no interior do corpo do recipiente encaixa no bloqueio da tampa da ventilação de ar para prevenir a abertura da tampa caso exista pressão na unidade.

Anel vedante

O anel vedante encaixa na tampa do recipiente e forma um vedante estanque à pressão entre a tampa e o corpo durante a esterilização.

Tampão de sobrepressão

O tampão de sobrepressão está situado na tampa do recipiente. Caso o tubo de ventilação fique obstruído e a pressão não possa ser libertada de modo normal, o tampão sai automaticamente e liberta o vapor.

Cesto de carregamento Litebox

Recipiente e tampa com duas pegas periféricas

Dispositivo eletrónico para regulação térmica

Interruptor principal

Impressora opcional

Alimentação elétrica

220 - 240 V - CA monofásica, 1300 W.

Esta unidade deve dispor de uma ligação à terra. Possui uma ficha de alimentação com contactos de segurança.

Se substituir a ficha de alimentação, é necessário ligar o fio de alimentação (verde e amarelo) ao terminal de terra da nova ficha.

Se utilizar uma fonte de alimentação elétrica sem proteção à terra, a unidade tem de ser ligada a uma terra de segurança.

Antes de utilizar pela primeira vez

- 1) Retire o bloqueio da tampa de ventilação de ar da tampa do recipiente.

A parte abaulada do bloqueio da tampa da ventilação de ar, no interior da tampa, é desaparafusada no perno.

- 2) Retire o anel vedante puxando a partir do respetivo entalhe.

- 3) Lave a tampa e o corpo com água quente e detergente. Não mergulhe a tampa em água nem permita que o manómetro entre em contacto com qualquer tipo de líquido. O mecanismo interno do manómetro pode ficar danificado se for mergulhado ou entrar em contacto com água. Esfregue o entalhe do anel vedante para remover o óleo de fabrico. Raspe o interior do corpo do recipiente e a tampa com um produto de limpeza de alumínio não alcalino ou com um esfregão de arame. Passe por água tépida e seque.

- 4) Volte a colocar o bloqueio da tampa da ventilação de ar, certificando-se de que a junta pequena fica no devido lugar.

- 5) Volte a colocar o anel vedante no respetivo entalhe.

O anel vedante está pré-lubrificado, pelo que não é necessário aplicar-lhe óleo. Uma lubrificação frequente pode causar a dilatação do anel vedante.

- 6) Se sentir dificuldade a abrir ou a fechar a tampa, utilize um pincel de pastelaria, um pedaço de pano ou as pontas dos dedos para aplicar uma fina camada de óleo por baixo dos pinos do corpo do recipiente. A tampa deverá abrir e fechar sem dificuldade.

Antes de cada utilização, certifique-se de que o tubo de ventilação está desobstruído, segurando a tampa contra a luz e espreitando através do tubo de ventilação. Se o tubo de ventilação estiver obstruído, não irá libertar a pressão excessiva. A pressão continuará a acumular até que o tampão de sobrepressão salte da respetiva abertura na tampa.

A pressão é indicada no mostrador do manómetro que regista a pressão no interior da unidade de forma permanente. O ponteiro desloca-se no mostrador conforme a pressão no interior do recipiente aumenta ou diminua. O regulador de uma peça inteira foi concebido para apenas se mexer com uma pressão de 15 libras.

Não bata no rebordo do corpo do recipiente com qualquer utensílio, pois provocará mossa que poderão danificar o rebordo e permitir a saída de vapor. Deitar água num recipiente sobreaquecido seco pode abrir fissuras no metal. O recipiente foi concebido de forma a que a tampa entre apenas numa posição, e rode apenas nas direções indicadas para fechar e abrir. Prima as pegas da tampa para baixo de forma a comprimir o anel vedante e facilitar o fecho da tampa. A tampa tem as palavras CLOSE/OPEN gravadas na superfície superior, perto de uma das pegas. Alinhe o "V" da tampa com a marca na pega do corpo para obter o alinhamento adequado entre a tampa e o corpo. Rode a tampa na direção indicada para fechar, até que as pegas da tampa fiquem centradas diretamente acima das pegas do corpo.

Não rode a tampa para lá deste ponto.

Quando a tampa for rodada para a posição de fecho, o bloqueio da tampa da ventilação de ar passa por baixo do suporte de bloqueio. Quando as pegas estiverem alinhadas, uma por cima da outra, o regulador de pressão estiver por cima do tubo de ventilação e for aplicado calor, a pressão começa a subir no interior do recipiente.

Neste momento, o bloqueio da tampa da ventilação de ar sobe e bloqueia a unidade. A tampa permanece bloqueada enquanto houver pressão no recipiente. Quando a pressão for reduzida por completo, o bloqueio da tampa de ventilação de ar desce, permitindo a abertura da unidade.

Operações preliminares

- 1) Este autoclave apenas deve ser utilizado para uma pressão máxima de 1,08 bar (121 °C).
- 2) O autoclave deve ser colocado numa área onde existam meios adequados à extração do vapor.
- 3) Ligue a ficha à alimentação elétrica.
- 4) Coloque água destilada ou água desmineralizada na câmara de esterilização em quantidade suficiente para cobrir o sistema de aquecimento. A utilização de água destilada evita a criação de depósitos de calcário no elemento de aquecimento. Uma esterilização de 20 minutos consome cerca de 500 ml de água.
- 5) Acendem-se dois mostradores no painel de comando de tempo/temperatura.
- 6) Antes de fazer a programação, é necessário apagar a proteção dos parâmetros (chaves de segurança); consulte o parágrafo 16.

Definição da temperatura de esterilização

- 1) Prima "SET" no mostrador inferior até ser apresentado Set.1
- 2) Utilizando as setas, aumente ou diminua a temperatura. Se mantiver o botão premido, a temperatura irá aumentar ou diminuir rapidamente. Para uma regulação precisa, prima o botão uma vez.
- 3) Prima "SET" para guardar na memória e repita o mesmo processo para os parâmetros do Set.2.

Definição do tempo de esterilização

- 1) Premir "SET" até MA.t ser apresentado no mostrador inferior.
- 2) Selecione o tempo de esterilização utilizando as setas. O tempo de esterilização (em minutos) será apresentado no mostrador superior.
- 3) Prima "SET" para gravar na memória.

Ciclo de esterilização

- 1) Prima o botão "SET" durante 3 segundos para iniciar o ciclo. A temperatura real será apresentada no mostrador superior (branco), a temperatura definida será apresentada no mostrador inferior (vermelho)
- 2) Quando a temperatura de esterilização tiver sido atingida, o tempo restante para o final do ciclo é apresentado no mostrador inferior.
- 3) O fim do ciclo de esterilização é indicado por um alarme acústico durante alguns segundos.
- 4) O ciclo pode ser parado a qualquer momento, bastando premir o botão SET durante cinco segundos
- 5) No final do arrefecimento do recipiente, abra a tampa e retire o material esterilizado.

Comandos no painel

SET	Para iniciar/parar o programa e alterar os parâmetros a definir
▼▲	Para aumentar/diminuir o tempo e a temperatura
FNC	Para entrar no menu de serviço. Será necessária uma palavra-passe. Para ser utilizada por técnicos de assistência.

NOTAS:

Todas as operações de programação devem ser realizadas numa sequência rápida. Caso contrário, o dispositivo de programação regressa a zeros. O programa pode ser parado premindo o botão "SET" durante mais de cinco segundos. Os únicos parâmetros que é necessário seleccionar são a temperatura (SP1) e o tempo (t in 1).

Os parâmetros seleccionados permanecem memorizados mesmo após o instrumento ser desligado.

Limpeza após utilização

- 1) A superfície exterior pode ser limpa com um produto de limpeza de pratas de qualidade ou apenas com água e detergente. O ferro e os diversos minerais existentes na água podem escurecer o interior, mas essa descoloração não afeta a esterilização. Estas manchas são inofensivas e podem ser removidas com uma solução de água e produto de destarização. Para cada quarto de litro de água, utilize uma colher de sopa de produto de destarização. Coloque uma quantidade suficiente de solução no recipiente para cobrir a descoloração (não encha mais de 2/3) e feche a tampa de forma segura. Coloque o regulador no tubo de ventilação e aqueça até atingir uma pressão de 15 libras. Desligue e não utilize a unidade durante duas a três horas. Retire o regulador, abra e despeje o conteúdo. Esfregue minuciosamente com um esfregão de arame e detergente; lave, passe por água e seque.
- 2) Sempre que o recipiente for lavado, retire o anel vedante e lave-o com água tépida e detergente, passe por água, seque e volte a colocá-lo na tampa.
- 3) O bloqueio da tampa da ventilação de ar pode ser removido para limpezas ocasionais ou para substituição da junta pequena. Lave todas as peças com água tépida e detergente. Utilize um pano macio ou uma escova de nylon pequena para limpar o orifício da tampa. A junta pequena tem de ser colocada quando montar de novo o bloqueio da tampa da ventilação de ar.
- 4) O tampão de sobrepressão pode ser removido da respetiva abertura para limpeza puxando-o da parte inferior da tampa. Após a limpeza, volte a colocá-lo empurrando a parte redonda do tampão para a abertura a partir da parte inferior da tampa. Quando o tampão de sobrepressão estiver devidamente instalado, a palavra (TOP) estará visível ao observar do exterior da tampa. A parte dentada do tampão de sobrepressão é visível quando se observa a parte inferior da tampa. Se o tampão de sobrepressão saltar da respetiva abertura na tampa, devido a excesso de pressão durante a esterilização, é importante inspecionar devidamente o recipiente antes de nova utilização. Não tente voltar a instalar o tampão de sobrepressão e solicite uma manutenção.
- 5) Antes de cada utilização, certifique-se de que o tubo de ventilação está desobstruído. Limpe o tubo de ventilação com uma escova pequena ou um produto de limpeza de tubos.
- 6) Quando a unidade não estiver a ser utilizada, coloque a tampa ao contrário por cima do corpo e guarde a unidade num local seco. Se guardar a unidade com a tampa bloqueada poderá deformar o anel vedante.

Manutenção geral

- 1) CUIDADO: Para assegurar uma operação segura e um desempenho satisfatório, substitua o tampão de sobrepressão sempre que substituir o anel vedante, ou até mesmo antes, caso ele fique rígido ou deformado. De qualquer forma, substitua o tampão de sobrepressão de 2 em 2 anos. O não cumprimento destas instruções pode resultar em danos físicos ou materiais.
- 2) Se o corpo ou as pegas da tampa ficarem soltas, aperte-as com uma chave de parafusos.

- 3) Se houver fugas de humidade ou vapor durante a utilização da unidade, verifique as seguintes causas possíveis:
- A formação de uma pequena quantidade de humidade por baixo do regulador de pressão é normal quando é iniciado o aquecimento. Esta condensação resulta do facto de a temperatura do regulador de pressão ser inferior à do resto do recipiente. Se continuar a haver um excesso de humidade, o tubo de ventilação pode estar solto, devendo ser apertado com uma chave.
 - As fugas entre a tampa e o corpo são geralmente causadas pelo encolhimento do anel vedante após o uso prolongado. Substitua o anel vedante, o tampão de sobrepressão e o adaptador do manómetro de pressão.
 - Uma pequena fuga à volta do bloqueio da tampa da ventilação de ar é normal quando a esterilização é iniciada. Se a fuga continuar, as pegas da tampa podem não estar totalmente alinhadas com as pegas do corpo e, por conseguinte, o bloqueio da tampa pode não encaixar. Limpe o bloqueio da tampa da ventilação de ar para garantir que funciona na perfeição.
 - Pode ser visível uma pequena quantidade de vapor ou humidade à volta do tampão de sobrepressão quando a esterilização é iniciada. Essa fuga desaparece quando o tampão de sobrepressão vedar. Se a fuga continuar, limpe ou substitua o tampão de sobrepressão.
- 4) Caso exista dificuldade em abrir ou fechar o recipiente de pressão ou se o anel vedante se tiver expandido, substitua o anel vedante.
- 5) **IMPORTANTE:** Com o passar do tempo, o anel vedante pode encolher e o bloqueio da tampa da ventilação de ar, a junta pequena, o tampão de sobrepressão e o adaptador do manómetro de pressão podem ficar rígidos e deformados. Quando tal acontecer, substitua o anel vedante, a junta pequena, o tampão de sobrepressão e o adaptador do manómetro de pressão. O anel vedante, o tampão de sobrepressão e o adaptador do manómetro de pressão devem ser substituídos, pelo menos, de 2 em 2 anos.
- Antes de inserir um anel vedante novo, limpe o entalhe do anel vedante com uma escova. Para garantir um funcionamento seguro da unidade, recomenda-se que o adaptador do manómetro de pressão e o tampão de sobrepressão sejam substituídos sempre que o anel vedante for substituído.
- 6) Técnica anti corrosão: Quando dois metais diferentes, com propriedades químicas diferentes, entram em contacto com um eletrólito, dá-se uma troca de eletrões. Este processo é conhecido como corrosão galvânica, que inicia a oxidação do metal mais fraco. Num autoclave de alumínio, este efeito natural pode acabar por resultar em danos graves no recipiente.

Para evitar esta corrosão, todos os autoclaves de alumínio estão equipados com um dispositivo especial denominado corpo sacrificial (Ref.^a 481-0721). Este dispositivo é um disco pequeno, fixo com um parafuso ao corpo do recipiente, fabricado num metal que oxidiza mais facilmente do que o alumínio. Isto significa que a corrente galvânica passa pelo corpo sacrificial, que será corroído em vez do recipiente do autoclave. Se o corpo sacrificial tiver desgastado por completo, o recipiente do autoclave começa a corroer, pelo que é obrigatório verificar periodicamente o estado do corpo sacrificial e substituí-lo antes que se desgaste. É recomendável encomendar alguns corpos sacrificiais sobresselentes para poder utilizar o autoclave sempre com um corpo sacrificial.

Substituição do elemento de aquecimento

Desligue a alimentação elétrica, desaperte as duas porcas de fixação na parte exterior inferior da câmara de esterilização e instale um elemento de aquecimento novo. Para voltar a montar, repita os mesmos passos pela ordem inversa.

Certifique-se de que o nível de água na câmara de esterilização cobre sempre o elemento de aquecimento.

Taxas de temperatura/pressão

Temperatura (°C)	100	102	105	109	112	115	119	120
Pressão (PSI)	0	1,45	2,90	5,80	7,25	10,15	13,05	14,50

Peças sobressalentes



	Descrição	Ref. ^a
1	Manómetro	481-0717
2	Elemento de aquecimento 200 V, 1300 W (110 V mediante pedido)	481-0777
3	Junta da tampa	481-0719
4	Tampão de sobrepressão	481-0720
5	Interruptor principal	481-0779
6	Corpo sacrificial	481-0721
7	Regulador da pressão	481-0722
8	Controlador para o autoclave	481-0848
9	Impressora	481-0840
10	Botão de início preto	481-0839
	Papel da impressora	481-0775

Definir a chave de segurança dos parâmetros

Os parâmetros seleccionados devem ser protegidos para evitar violações:

- Prima "ENTER" várias vezes até a palavra "nnn" ser apresentada no mostrador
- Selecione um número diferente de 3 com as teclas das setas e prima "ENTER"

Este número será solicitado sempre que o parâmetro definido for alterado.

A proteção do parâmetro é apagada da seguinte forma:

- Prima o botão "ENTER" várias vezes até a palavra "nnn" ser apresentada no mostrador
- Selecione o número 3 com as setas e prima "ENTER"

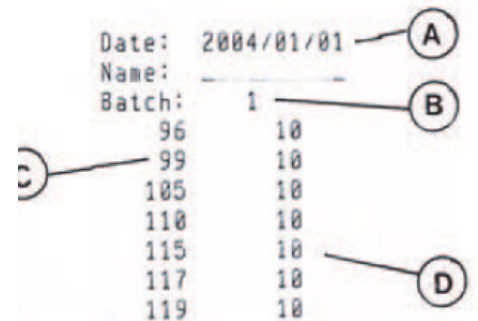
O programador já não pede uma password.

Impressora (opcional)

O autoclave é fornecido com uma ligação à impressora de temperatura.

A impressora regista:

- a. Data
- b. Número de lote
- c. A temperatura registada durante o segmento de tempo programado
- d. Número crescente de esterilizações aumentado de forma automática



Date:	2004/01/01	(A)
Name:	_____	
Batch:	1	(B)
(C)	96	10
	99	10
	105	10
	110	10
	115	10
	117	10
	119	10
		(D)

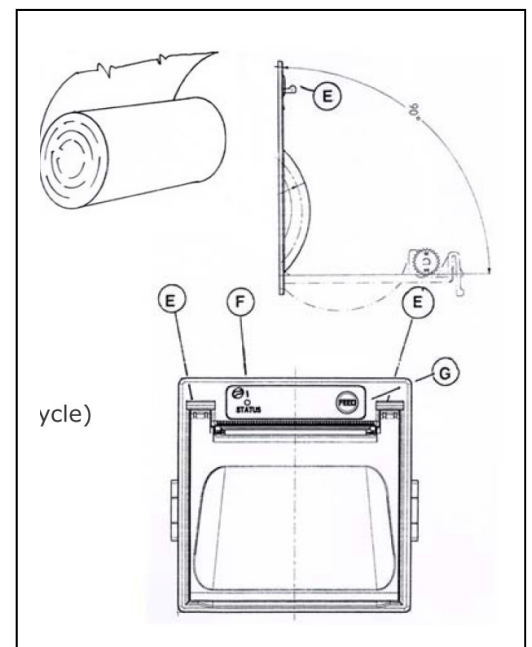
Como inserir papel

Prima as duas alavancas (E), abra o painel e insira papel tal como é indicado.

Se o papel ficar corretamente instalado, a luz LED "pos F" acende-se.

Um LED intermitente indica que o papel não está devidamente instalado.

Premindo o botão G, pode deslocar o papel.



Precauções de segurança

Abrir e fechar

O autoclave possui um fecho de segurança quando a tampa está aberta. Este bloqueio previne que a tampa caia nas mãos do operador. Certifique-se SEMPRE de que o bloqueio funciona corretamente e de que há espaço suficiente entre o instrumento e a parede por trás, a fim de permitir que a tampa abra por completo e o bloqueio seja ativado.

Após um ciclo, o instrumento só deve ser aberto quando a temperatura estiver abaixo dos 70 °C e a pressão interior for 0. Os autoclaves possuem dispositivos de segurança que previnem aberturas acidentais. Neste caso, NÃO FORCE a abertura do instrumento.

A abertura do autoclave com a alimentação elétrica desligada NÃO é recomendada.

Sistemas de segurança pessoais (PSS)

Todos os dispositivos de segurança deste autoclave previnem aberturas acidentais. Contudo, as cargas esterilizadas podem ser submetidas a choques térmicos durante um ciclo que podem causar quebras durante a abertura, apesar de as circunstâncias serem muito raras.

O seguinte vestuário de trabalho PSS deve estar presente junto ao instrumento e o pessoal deve usá-lo sempre:

- Luvas resistentes ao calor
- Máscara facial resistente ao calor (por ex., de policarbonato)
- Óculos de proteção
- Bata de laboratório

Esterilização de líquidos

Note que os líquidos de uma carga têm uma carga térmica superior ao vapor da câmara. Por este motivo, estão sempre um "passo atrás" da temperatura medida na câmara. Quanto mais viscoso ou grosso for o líquido, mais ocorrerá este fenómeno.

Por isso, quando a câmara estiver a menos de 100°C, o líquido no interior da carga pode estar a uma temperatura superior a este valor. Como tal, se o autoclave for aberto, o líquido no interior (que está a uma temperatura muito superior) pode sair de maneira turbulenta e sujar a câmara interna ou (no pior dos casos) salpicar o operador. Se o recipiente estiver fechado, pode explodir.

Se estiver a esterilizar líquidos, conte sempre com uma diferença de, **pelo menos** 20 °C entre a temperatura da câmara e a temperatura da carga. Por conseguinte, o instrumento deve ser aberto a 50 °C.

Recomendamos vivamente que sejam esterilizados líquidos em recipientes com mais de 2 litros.

Assistência técnica

Recursos Web

Visite o site da VWR em vwr.com para:

- obter toda a informação de contacto da assistência técnica
- aceder ao catálogo online da VWR e à informação sobre acessórios e produtos relacionados
- obter informação adicional sobre produtos e ofertas especiais

Contacte-nos Para obter informações ou assistência técnica, contacte o seu representante local da VWR ou visite vwr.com.

Garantia

A **VWR International** garante que este produto está isento de defeitos de material e de fabrico por um período de dois (2) anos a partir da data de fornecimento. Caso seja detetado um defeito, a VWR irá, a seu crédito e custos, reparar, substituir ou reembolsar o preço de compra deste produto ao cliente, desde que o produto seja devolvido durante o período de garantia. Esta garantia não se aplica se o produto tiver sido danificado devido a acidente, uso indevido, se tiver sido aplicado incorretamente, ou se os danos resultarem do desgaste normal. Se a manutenção necessária e os serviços de inspeção não forem efetuados de acordo com os manuais e com as normas locais, a respetiva garantia torna-se inválida, com a exceção dos casos em que o defeito do produto não resulta do incumprimento das inspeções e regulamentos.

Os artigos a devolver devem ser protegidos pelo cliente contra potenciais danos ou perda. Esta garantia é limitada aos recursos acima mencionados. FOI EXPRESSAMENTE ACORDADO QUE A PRESENTE GARANTIA SUBSTITUIRÁ TODAS AS GARANTIAS DE ADEQUAÇÃO, BEM COMO A GARANTIA DE COMERCIALIZAÇÃO.

Conformidade com leis e normas locais

O cliente é responsável pela solicitação e obtenção das autorizações regulamentares necessárias ou outras autorizações necessárias para executar ou usar o produto no seu local de trabalho. A VWR não assume responsabilidades por omissões relacionadas com este facto ou pela não obtenção da devida aprovação ou autorização, a não ser que qualquer recusa se deva a um defeito do produto.

Eliminação do equipamento



Este equipamento contém o símbolo do contentor do lixo com uma cruz para indicar que não deve ser eliminado no lixo comum.

Em vez disso, é da sua responsabilidade eliminar o equipamento corretamente no fim da sua vida útil, entregando-o a uma empresa autorizada para a recolha e reciclagem. É também da sua responsabilidade descontaminar o equipamento em caso de contaminação biológica, química e/ou radiológica, de forma a evitar submeter as pessoas envolvidas a riscos para a saúde aquando da eliminação e reciclagem do equipamento.

Para mais informações sobre os locais onde pode entregar os resíduos do equipamento, contacte o seu fornecedor local onde adquiriu originalmente este equipamento.

Ao fazê-lo, estará a ajudar a conservar os recursos naturais e ambientais e assegurará que o seu equipamento é reciclado de forma a proteger a saúde humana.

Obrigado

Your Distributor

Austria

VWR International GmbH
Graumanngasse 7
1150 Vienna
Tel.: +43 01 97 002 0
Email: info.at@vwr.com

Belgium

VWR International bvba
Researchpark Haasrode 2020
Geldenaaksebaan 464
3001 Leuven
Tel.: +32 016 385 011
Email: vwr.be@vwr.com

China

VWR International China Co., Ltd
Shanghai Branch
Room 256, No. 3058 Pusan Road
Pudong New District
Shanghai 200123
Tel.: +86-21-5898 6888
Fax: +86-21-5855 8801
Email: info_china@vwr.com

Czech Republic

VWR International s. r. o.
Veetee Business Park
Pražská 442
CZ - 281 67 Stříbrná Skalice
Tel.: +420 321 570 321
Email: info.cz@vwr.com

Denmark

VWR International A/S
Tobaksvejen 21
2860 Søborg
Tel.: +45 43 86 87 88
Email: info.dk@vwr.com

Finland

VWR International Oy
Valimotie 9
00380 Helsinki
Tel.: +358 09 80 45 51
Email: info.fi@vwr.com

France

VWR International S.A.S.
Le Périgares – Bâtiment B
201, rue Carnot
94126 Fontenay-sous-Bois cedex
Tel.: 0 825 02 30 30* (national)
Tel.: +33 (0) 1 45 14 85 00
(international)
Email: info.fr@vwr.com
* 0,18 € TTC/min

Germany

VWR International GmbH
Hilpertstraße 20a
D - 64295 Darmstadt
Freecall: 0800 702 00 07
Tel.: +49 (0) 6151 3972 0 (international)
Email: info.de@vwr.com

Hungary

VWR International Kft.
Simon László u. 4.
4034 Debrecen
Tel.: +36 (52) 521-130
Email: info.hu@vwr.com

India

VWR Lab Products Private Limited
No.139. BDA Industrial Suburb,
6th Main, Tumkur Road, Peenya Post,
Bangalore, India – 560058
Tel.: +91-80-28078400
Email: vwr_india@vwr.com

Ireland / Northern Ireland

VWR International Ltd / VWR
International (Northern Ireland) Ltd
Orion Business Campus
Northwest Business Park
Ballycoolin
Dublin 15
Tel.: +353 01 88 22 222
Email sales.ie@vwr.com

Italy

VWR International S.r.l.
Via San Giusto 85
20153 Milano (MI)
Tel.: +39 02-3320311
Email: info.it@vwr.com

The Netherlands

VWR International B.V.
Postbus 8198
1005 AD Amsterdam
Tel.: +31 020 4808 400
Email: info.nl@vwr.com

Norway

VWR International AS
Brynsalleen 4
0667 Oslo
Tel.: +47 22 90 00 00
Email: info.no@vwr.com

Poland

VWR International Sp. z o.o.
Limkowa 5
80-175 Gdansk
Tel.: +48 058 32 38 200
Email: info.pl@vwr.com

Portugal

VWR International –
Material de Laboratório, Lda
Centro Empresarial de Alfragide
Rua da Indústria, nº 6
2610-088 Amadora
Tel.: +351 21 3600 770
Email: info.pt@vwr.com

Singapore

VWR Singapore Pte Ltd
18 Gul Drive
Singapore 629468
Tel.: +65 6505 0760
Email: sales.sg@vwr.com

Spain

VWR International Eurolab S.L.
C/ Tecnología 5-17
A-7 Llinars Park
08450 - Llinars del Vallès
Barcelona
Tel.: +34 902 222 897
Email: info.es@vwr.com

Sweden

VWR International AB
Fagerstagatan 18a
163 94 Stockholm
Tel.: +46 08 621 34 00
Email: info.se@vwr.com

Switzerland

VWR International AG
Lerzenstrasse 16/18
8953 Dietikon
Tel.: +41 044 745 13 13
Email: info.ch@vwr.com

UK

VWR International Ltd
Customer Service Centre
Hunter Boulevard
Magna Park
Lutterworth
Leicestershire
LE17 4XN
Tel.: +44 (0) 800 22 33 44
Email: uksales@vwr.com