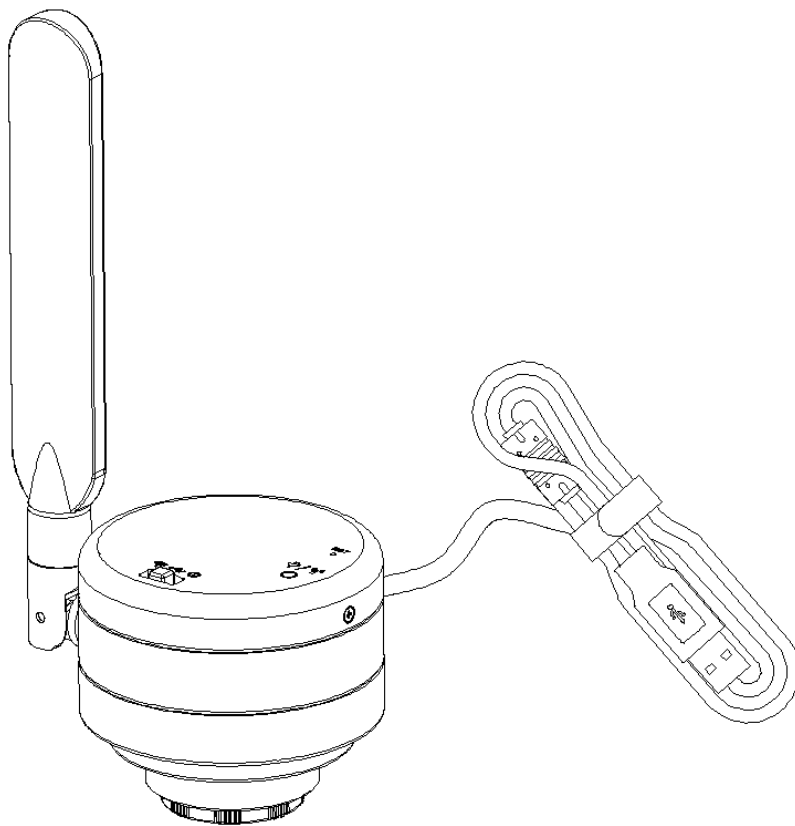


---

# WiFi Digital Camera

# User's Manual



## Content

<b>CHAPTER 1 NOTES AND SAFETY REQUIREMENTS -----</b>	<b>1 -</b>
1.1 Cautions and Notes -----	1 -
<b>CHAPTER 2 SOFTWARE SYSTEM REQUIREMENTS -----</b>	<b>2 -</b>
2.1 System Requirements under USB Work Mode -----	2 -
2.2 System Requirements under WiFi Work Mode -----	2 -
<b>CHAPTER 3 PACKAGE LIST -----</b>	<b>3 -</b>
<b>CHAPTER 4 FUNCTION INTRODUCTION -----</b>	<b>4 -</b>
4.1 Name and function for body units of WiFi Digital Camera -----	4 -
4.1.1 Body Introduction: -----	4 -
4.1.2 Function for body units of WiFi Digital Camera -----	4 -
4.2 Optional accessory Introduction -----	5 -
4.2.1 Connection methods and types-----	5 -
<b>CHAPTER 5 PRODUCT ASSEMBLY GUIDE-----</b>	<b>7 -</b>
5.1 WiFi Digital Camera assembly and disassembly -----	7 -
5.1.1 WiFi Digital Camera Assemble with Microscopes-----	7 -
5.1.2 WiFi Digital Camera Disassembly -----	9 -
<b>CHAPTER 6 INSTRUCTIONS-----</b>	<b>10 -</b>
6.1 USB Wired Work Mode -----	10 -
6.1.1 Install Micro Capture Software -----	10 -
6.1.2 To Connect Device-----	10 -
6.1.3 Open Software-----	10 -
6.1.4 Start to Use-----	10 -
6.2 WiFi Work Mode-IOS System -----	10 -
6.2.1 Install UCam Plus for iOS software-----	10 -
6.2.2 To Connect Device-----	11 -
6.2.3 Open Software-----	11 -
6.2.4 Start to Use-----	11 -
6.3 WiFi Work Mode-Android System -----	11 -
6.3.1 Install UCam Plus for Android Software -----	11 -
6.3.2 To Connect Device-----	11 -
6.3.3 Open Software-----	12 -
6.3.4 Start to Use-----	12 -

## Chapter 1 Notes and Safety Requirements

### 1.1 Cautions and Notes

- (1) To avoid danger or damage incurred to the lens, do not touch the lens or sensor directly with your fingers.
- (2) To avoid failure or electric shock hazard and so on, do not disassemble or modify the internal structure of the device.
- (3) Do not plug in or unplug the USB port when hands are wet.
- (4) Do not use alcohol and other organic solvents to clean.
- (5) If the lens or sensor is dirty or damp, you should better use dry and non-linen fabric or professional lens tissue to wipe them. To avoid scratches on the surface, do not touch the lens with your fingers. Wipe the lens or sensor lightly.
- (6) The products are not specifically designed for an outdoor use. Do not expose it to outdoor environment without any protection. Excessive temperature and humidity will damage the lens. Please avoid using the product under the following environment: high temperature or high humidity environment, places with direct sunlight, dirt or vibration and places near heat source.
- (7) Please use and store in the following environment:  
Operating temperature :  $-10^{\circ}\text{C} \sim 50^{\circ}\text{C}$   
Storage temperature:  $-20^{\circ}\text{C} \sim 60^{\circ}\text{C}$   
Operating Humidity : 30~80%RH  
Storage Humidity: 10~60%RH
- (8) If any foreign matter, water or liquid enter into the device by accident, disconnect the USB cable immediately. Please send it to the maintenance center and do not use the hair dryer to dry it by yourself.
- (9) To prevent microscope from being tripped over or dropped, please put away the device's USB cables in use or standby.
- (10) To avoid electric shock by accident, please power off microscope before you move your computer or laptop.
- (11) The cleanliness of the device lens will directly affect clarity degree of contents from the computer screen during preview. Problems like various circles or spots on the screen may mostly be incurred by dirt on the lens. When cleaning, please use professional lens tissue or other professional detergent to clear the dirt on the lens.

## Chapter 2 Software System Requirements

### 2.1 System Requirements under USB Work Mode

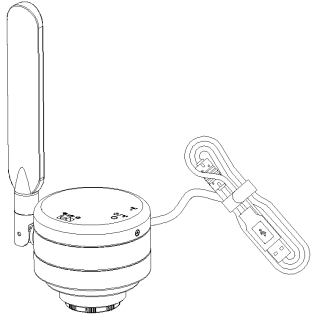
- Windows XP SP3、Windows 7 (32 or 64 bits)、Windows 8 (32 or 64 bits)、Windows 8.1 (32 or 64 bits)、Windows 10 (32 or 64 bits)。
- Dual core **3 GHz** or higher CPU
- USB **2.0** high-speed interface or USB2.0 compatible interface
- DVD-ROM driver (only needed when installing software)
- **4G or more memory**
- At least **10 GB available hard-disk space**

### 2.2 System Requirements under WiFi Work Mode

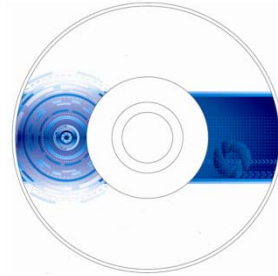
- 5.0 or above version for Android system.
- 8.0 or above version for IOS system.
- Wireless network hardware must support the 802.11n/ac protocol (5G mode).

## Chapter 3 Package list

1. WiFi Digital Camera



2. Installation disk



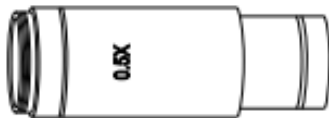
3. USB power adapter

4. Reset pin



5. Eyepiece (optional accessory)

6. Adapter (optional accessory)



## Chapter 4 Function Introduction

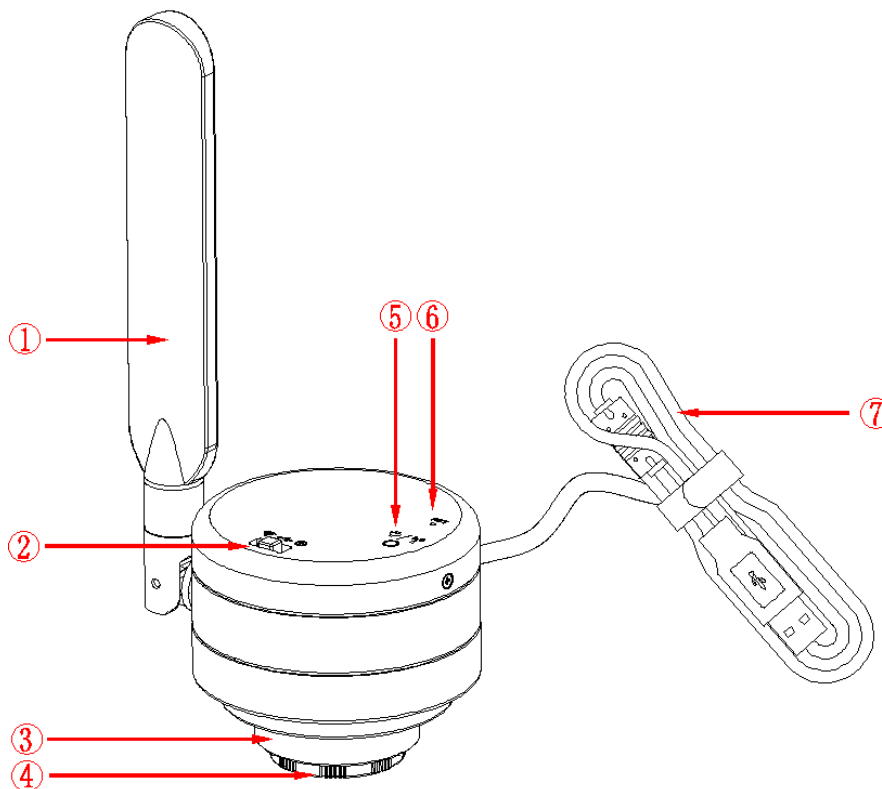
### 4.1 Name and function for body units of WiFi Digital Camera

#### 4.1.1 Body Introduction:

##### WiFi Digital Camera :

Standard C Port WiFi Digital Camera suitable for adapter ring of 23.3mm, 30mm and 30.5mm, achieving connections with microscopes of different interfaces; the new 5mega-pixel light-sensitive COMS chips significantly reduce the image noise, bearing characteristics of quick transmission speed, excellent color rendition, clear image and storage convenience, etc., which can be widely used in industrial tubes, teaching, material analysis, clinical examination, machine vision, etc.

#### 4.1.2 Function for body units of WiFi Digital Camera



① **Antenna:** External antenna。

② **Toggle key:**

Divided into Three states:

- ◆ Toggle left (WiFi Icon): wireless WiFi enable。
- ◆ Toggle middle(USB Icon) : PC enable。
- ◆ Toggle right (switch Icon): shut down。

1. Note: Input rated current of 500mA under USB connection status;input rated current 1500mA under WiFi connection status.

③ **C-mount thread:** make our camera can install to a standard C-mount microscope or spotting scope; or can install to a different interface microscope with adapter (optional accessory). (For detailed specifications, please refer to Chapter 5)

④ **Dustproof Cover:** screw it out before use for dust prevention and chip protection.

⑤ **LED Lights:**

Two color Lights:

- USB State: Red lights
- WiFi State: Glimpse blue lights.

Note: The default WiFi output signal is 5G ;2.4G and 5G signals can be switched by pressing the hole of reset in 1-3 seconds.

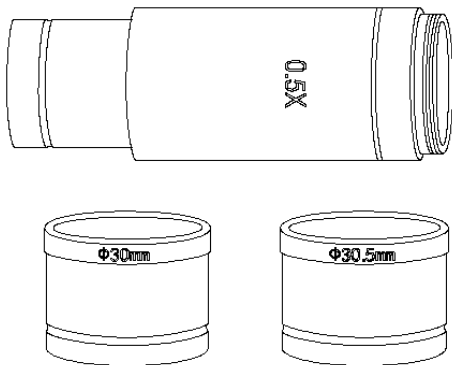
⑥ **WiFi signal switch/reset button hole**

Hort press: press 1-3 seconds to switch WiFi signals (2.4G to 5G)

Long press: more than 10 seconds, restore the default Settings

⑦ **USB line:** USB power supply.

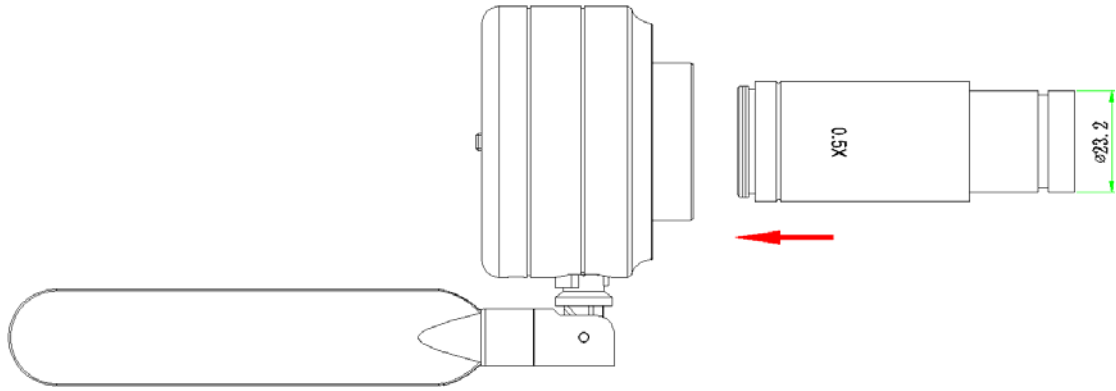
## 4.2 Optional accessory Introduction



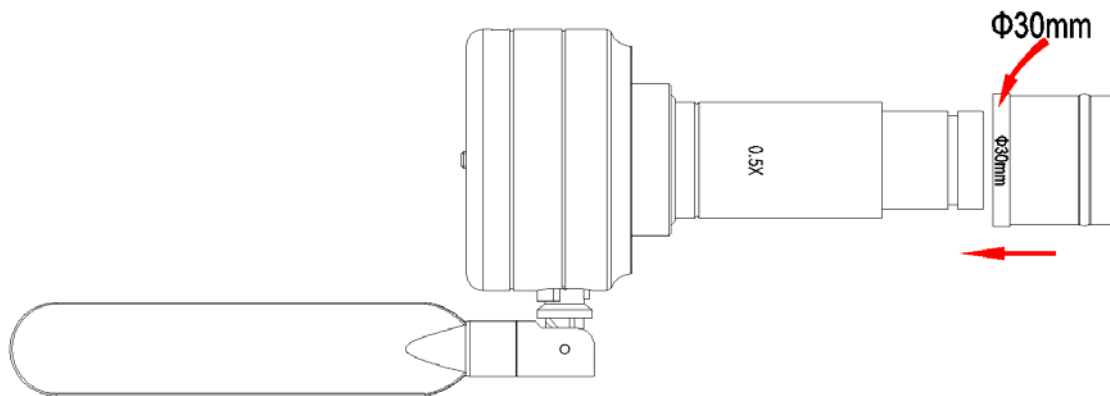
**Adapter Ring and Eyepiece(Optional Components):** WiFi Digital Camera can be equipped intomicroscopes of different calibers throughadapter ring and eyepiece. The Camera eyepiece body is of Standard C Port; 0.5X eyepiece is of 23.2mm; adapter ring is of 23.2/30mm, 23.2/30.5mm. According to different assembly methods, the equipment can be connected to eyepieces of different ports.

### 4.2.1 Connection methods and types

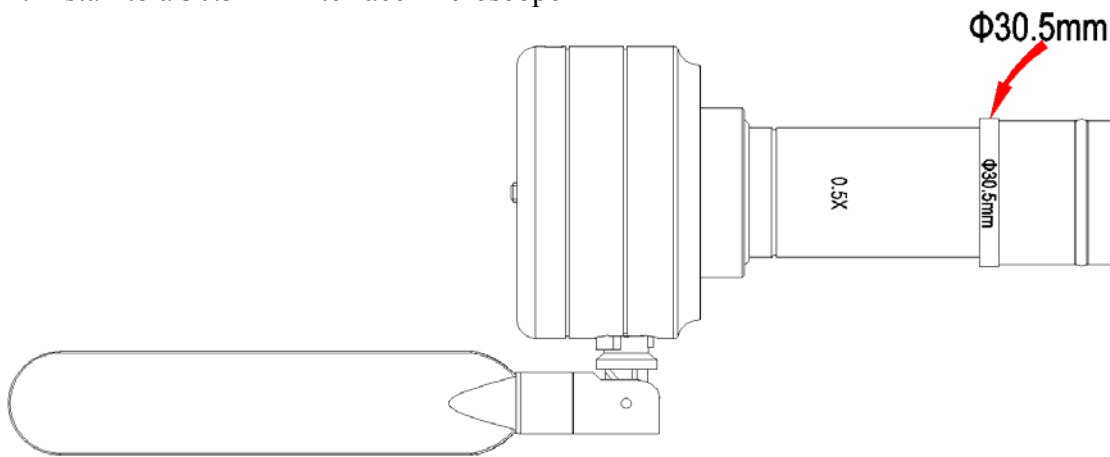
1. Install to a standard C-mount interface microscope
2. Install to a 23.2mm interface microscope



3. Install to a 30mm interface microscope



4. Install to a 30.5mm interface microscope





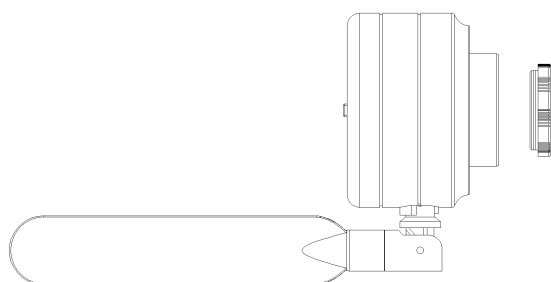
## Chapter 5 Product Assembly Guide

### 5.1 WiFi Digital Camera assembly and disassembly

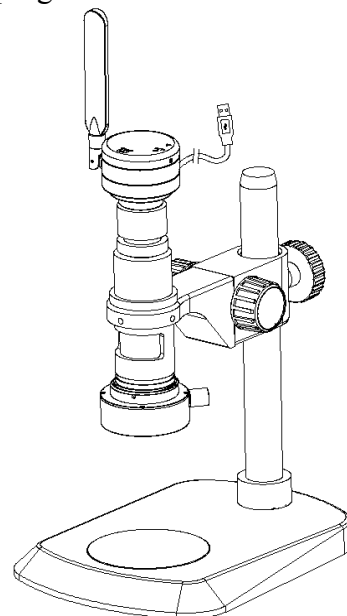
#### 5.1.1 WiFi Digital Camera Assemble with Microscopes

##### 1. Connection of Microscope for Standard C Port

- (1) Unscrew the plastic dustproof cover at the bottom of the WiFi Digital Camera, take the protective film on the filter of the cavity (See Picture 1).
- (2) Screw the WiFi Digital Camera to other microscopes (Standard C Port) (See Picture 2).
- (3) Connect the eyepiece to the computer and start the program.



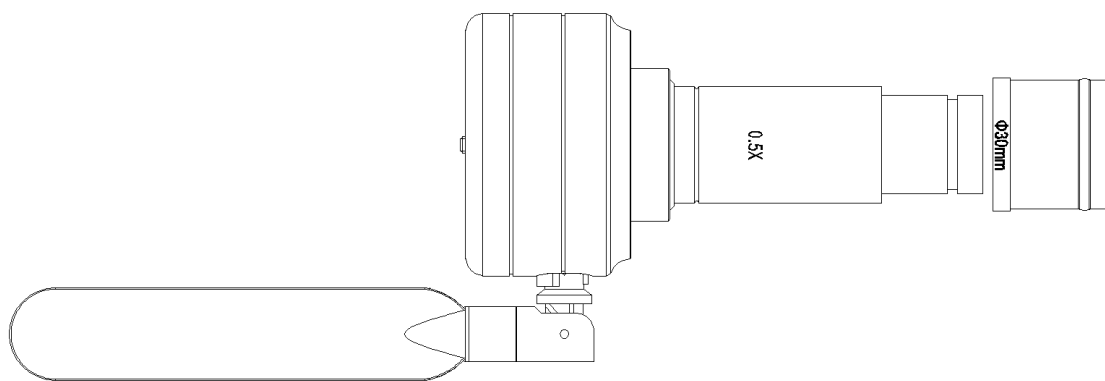
Picture 1



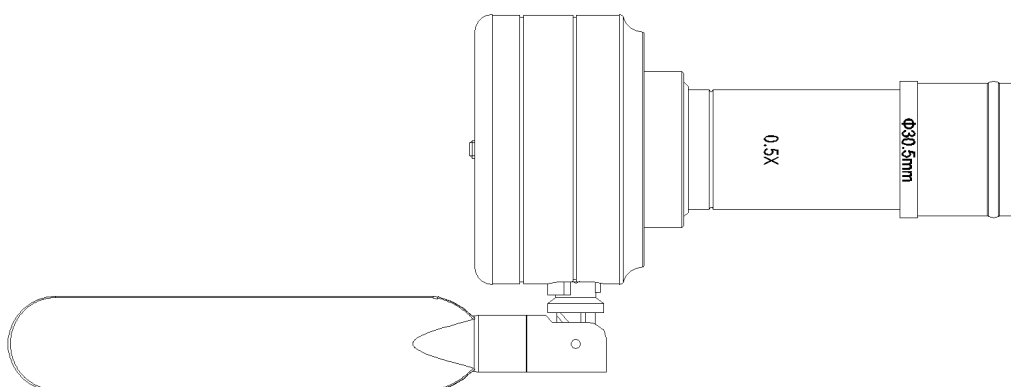
Picture 2

##### 2. Connection with Stereomicroscope

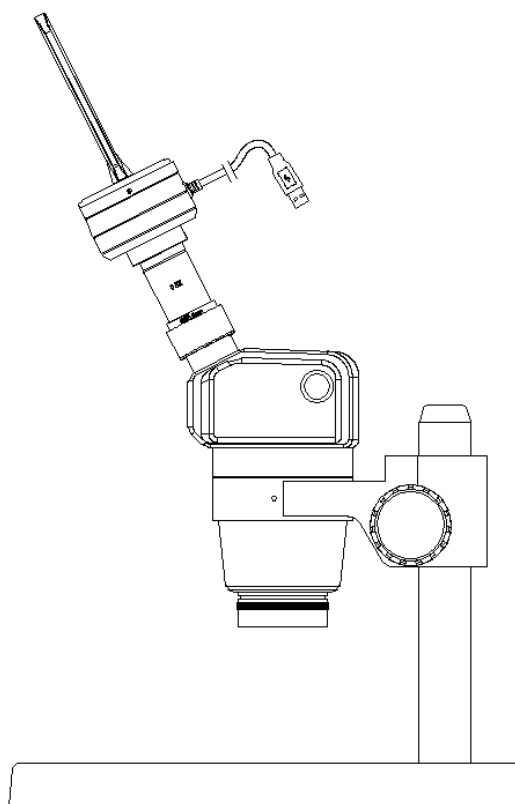
- (1) Unscrew the dustproof cover of the WiFi Digital Camera, take the protective film on the filter of the cavity.
- (2) Connect the eyepiece to additional eyepiece (See Picture 1 and 2).
- (3) Narrow the eyepiece cover (or empty sleeve) into 23.2/30mm adapter ring (or 23.2/30.5mm adapter ring).
- (4) Set the adapter ring with WiFi Digital Camera to stereomicroscope (See Picture 3).



Picture 1



Picture 2



Picture 3

## **5.1.2 WiFi Digital Camera Disassembly**

### **1. Disassembly with Standard C Port WiFi Digital Camera**

- (1) Turn off the software and unplug the USB cable.
- (2) Screw out the WiFi Digital Camera from the microscope.
- (3) Screw the plastic dustproof cover on.
- (4) Put the WiFi Digital Camera in place in case of falling down.

### **2. Disassembly with Stereomicroscope**

- (1) Take the product and adapter ring out from the stereomicroscope.
- (2) Disassemble the adapter ring and eyepiece from the product.
- (3) Screw the plastic dustproof cover on.
- (4) Put the WiFi Digital Camera in place in case of falling down.

## **Chapter 6 Instructions**

### **6.1 USB Wired Work Mode**

#### **6.1.1 Install Micro Capture Software**

Put the appendant disc into the DVD driver of your computer, click Micro Capture Install file and finish the installation of the application software according to the software reminder. For detailed install methods, please refer to User Manual of KoPa Capture English.

#### **6.1.2 To Connect Device**

- (1) Connect the USB-A port of the USB cable to the USB port of the computer.
- (2) Turn the WiFi Digital Camera work mode switch to USB work mode. It may appear the reminder for installing device's driver when you first use the WiFi Camera Eyepiece and then system will finish installation automatically.

#### **6.1.3 Open Software**

- (1) Place the WiFi Digital Camera soundly and align the lens to the observation object.
- (2) Execute the Micro Capture software in your computer to observe your needed image.

#### **6.1.4 Start to Use**

- (1) Connect the microscope to WiFi Digital Camera when required.
- (2) Turn on the WiFi Digital Camera and connect to the device.
- (3) Adjust the microscope or WiFi Digital Camera button to view required objects.
- (4) For more detailed instructions, please refer to User Manual of Micro Capture English.

### **6.2 WiFi Work Mode-IOS System**

#### **6.2.1 Install UCam Plus for iOS software**

Download and install UCam Plus software in APP Store of Apple.

## 6.2.2 To Connect Device

(1) Turn the work mode switch of the WiFi Digital Camera to WiFi work mode. After about 20 seconds, the WiFi indicator in the WiFi camera stops flashing and stays on.

(2) Setting under IPAD or IPHONE system-connect WiFi Digital Camera under WiFi, WiFi name: WiFiCamera\_xxxxxx (2.4G mode)/WiFiCamera\_5G\_xxxxxx (5G mode), password: 12345678

## 6.2.3 Open Software

(1) Place the WiFi Digital Camera soundly and align the lens to the observation object.

(2) Execute the UCam Plus software under the desktop of system to observe your needed image.

## 6.2.4 Start to Use

For more detailed instructions, please refer to User Manual of UCam Plus for iOS English.

## 6.3 WiFi Work Mode-Android System

### 6.3.1 Install UCam Plus for Android Software

You can use one of the following two methods when installing software.

(1) Download and install UCam Plus software on Google play.

(2) Copy the UCam Plus for Android software to Android system for installation.

### 6.3.2 To Connect Device

(1) Turn the work mode switch of the WiFi Digital Camera to WiFi work mode. After about 20 seconds, the WiFi indicator in the WiFi camera stops flashing and stays on.

(2) Setting under IPAD or IPHONE system-connect WiFi Digital Camera under WiFi, WiFi name: WiFiCamera\_xxxxxx (2.4G mode)/WiFiCamera\_5G\_xxxxxx (5G mode), password: 12345678

### **6.3.3 Open Software**

- (1) Place the WiFi Digital Camera soundly and align the lens to the observation object.
- (2) Execute the UCam Plus software under the desktop of system to observe your needed image.

### **6.3.4 Start to Use**

For more detailed instructions, please refer to User Manual of UCam Plus for Android English.